

EXHIBITION SIGNAGE PRINTER / CONTRACTOR BIDDING FORM

I. PRINTING AND MATERIAL COST (Delivery Only)

PROCESS	Tarpaulin		Perforated Tarpaulin		Satin	Canvass	Polyester-Nylon	Magnetic sticker
	With Print	Without Print (Plain)	With Print	Without Print (Plain)				
Inkjet								
Indoor								
Outdoor								

Note: Bid price is on a per square meter basis, inclusive of materials cost, metal eyelets and fastening materials.

II. PRINTING, DELIVERY, INSTALLATION, DISMANTLING, AND 2 WAY HAULING (Installation on-site and/or existing CITEM structure)

PROCESS	Tarpaulin		Perforated Tarpaulin		Satin	Canvass	Polyester-Nylon	Magnetic sticker
	With Print	Without Print (Plain)	With Print	Without Print (Plain)				
Inkjet								
Indoor								
Outdoor								

Submitted By: _____
Company Name & Signature over Printed Name

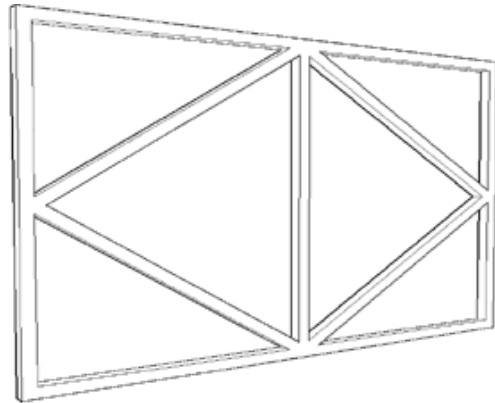
Date: _____

EXHIBITION SIGNAGE PRINTER / CONTRACTOR BIDDING FORM

III. PRINTING, DELIVERY, INSTALLATION, DISMANTLING, AND 2 WAY HAULING. Front Framing only (see sample below)

PROCESS	Tarpaulin		Perforated Tarpaulin		Satin	Canvass	Polyester-Nylon	Magnetic sticker
	With Print	Without Print (Plain)	With Print	Without Print (Plain)				
Inkjet								
Indoor								
Outdoor								

Note: Bid price is on a per square meter basis, inclusive of materials cost, metal eyelets, hooks and fastening materials.



FRONT FRAME ONLY: Sample framing only

Submitted By: _____
Company Name & Signature over Printed Name

Date: _____

EXHIBITION SIGNAGE PRINTER / CONTRACTOR BIDDING FORM

IV. PRINTING AND MATERIAL COST (Delivery Only)

PROCESS	Tarpaulin with Stiffener (Top and Bottom)				Perforated Tarpaulin with Stiffener (Top and Bottom)			
	1"X 1" KILN DRIED WOOD	2"X 2" KILN DRIED WOOD	1"x 1" SQUARE HOLLOW TUBULAR METAL	2"x 2" SQUARE HOLLOW TUBULAR METAL	1"X 1" KILN DRIED WOOD	2"X 2" KILN DRIED WOOD	1"x 1" SQUARE HOLLOW TUBULAR METAL	2"x 2" SQUARE HOLLOW TUBULAR METAL
Inkjet								
Indoor								
Outdoor								

Note: Bid price is on a per square meter basis, inclusive of materials cost, metal eyelets, hooks and fastening materials.

V. PRINTING, DELIVERY, INSTALLATION, DISMANTLING, AND 2 WAY HAULING (Installation on-site and/or existing CITEM structure)

PROCESS	Tarpaulin with Stiffener (Top and Bottom)				Perforated Tarpaulin with Stiffener (Top and Bottom)			
	1"X 1" KILN DRIED WOOD	2"X 2" KILN DRIED WOOD	1"x 1" SQUARE HOLLOW TUBULAR METAL	2"x 2" SQUARE HOLLOW TUBULAR METAL	1"X 1" KILN DRIED WOOD	2"X 2" KILN DRIED WOOD	1"x 1" SQUARE HOLLOW TUBULAR METAL	2"x 2" SQUARE HOLLOW TUBULAR METAL
Inkjet								
Indoor								
Outdoor								

Note: Bid price is on a per square meter basis, inclusive of materials cost, metal eyelets, hooks and fastening materials.

Submitted By: _____
Company Name & Signature over Printed Name

Date: _____

EXHIBITION SIGNAGE PRINTER / CONTRACTOR BIDDING FORM

VI. PRINTING, INSTALLATION, DISMANTLING, 2-WAY HAULING OF PULL-UP BANNER WITH SYSTEM:

PROCESS	Tarpaulin	
	With Print	Without Print (Plain)
Inkjet		
Indoor		
Outdoor		

Note: Bid price is on a per square meter basis, inclusive of materials cost, metal eyelets, hooks and fastening materials.

VII. PRINTING AND MATERIAL COST (Delivery Only)

PROCESS	Printable Sticker				Printable Sticker on 3mm Sintra Board			Printable Sticker on Foam Board			Perforated Glass Sticker	
	Lamination	None	Matte	Glossy	Clear	None	Matte	Glossy	None	Matte		Glossy
Indoor												
Outdoor												

Note: Bid price is on a per square meter basis, inclusive of materials cost, metal eyelets, hooks, fastening materials and boards.

Submitted By: _____
Company Name & Signature over Printed Name

Date: _____

EXHIBITION SIGNAGE PRINTER / CONTRACTOR BIDDING FORM

VIII. PRINTING, DELIVERY, INSTALLATION, DISMANTLING, AND 2 WAY HAULING (Installation on-site and/or existing CITEM structure)

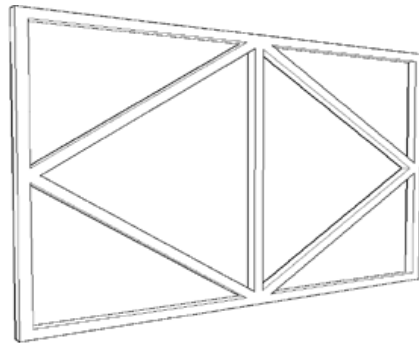
PROCESS	Printable Sticker				Printable Sticker on 3mm Sintra Board			Printable Sticker on Foam Board			Perforated Glass Sticker
Lamination	None	Matte	Glossy	Clear	None	Matte	Glossy	None	Matte	Glossy	
Indoor											
Outdoor											

Note: Bid price is on a per square meter basis, inclusive of materials cost, metal eyelets, fastening materials and boards.

IX. PRINTING, DELIVERY, INSTALLATION, DISMANTLING, AND 2 WAY HAULING. Front Framing only. (see below for sample)

PROCESS	Printable Sticker on 3mm Sintra Board			Printable Sticker on Foam Board		
Lamination	None	Matte	Glossy	None	Matte	Glossy
Indoor						
Outdoor						

Note: Bid price is on a per square meter basis, inclusive of materials cost, metal eyelets, fastening materials and boards.



FRONT FRAME ONLY: Sample framing only

Submitted By: _____
Company Name & Signature over Printed Name

Date: _____

EXHIBITION SIGNAGE PRINTER / CONTRACTOR BIDDING FORM

X. ADDITIONAL STIFFENER

STIFFENER	1" PVC PIPE	1" HOLLOW BI PIPE #20	1"x 1" SQUARE HOLLOW TUBULAR METAL	2"x 2" SQUARE HOLLOW TUBULAR METAL	½" SOLID ROUND BAR	1" X 1" ALUMINUM	1" DIA. CHROME PIPE
COST PER LINEAR METER							

XI. ADDITIONAL STIFFENER – KILN DRIED WOOD PER LINEAR METER

STIFFENER	1"X 1"	1"X 2"	2"X 2"
WITH PAINT			
WITHOUT PAINT			

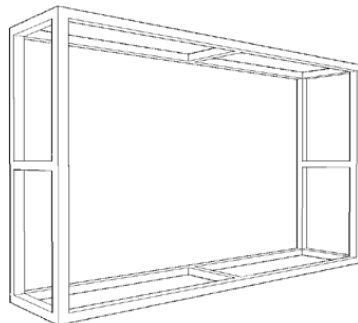
Note: Bid price is on per linear meter basis, to include cost of finishing of the stiffener.

XII. FULL FRAMING STRUCTURE (Including Fastening accessories e.g. rivets, bolts, washers, etc.)

MATERIAL	WITH PAINT	WITHOUT PAINT
1" X 2" Lumber		
2" x 2" Lumber		
1"X1" Square Hollow Tubular Metal		
2"X2" Square Hollow Tubular Metal		
1"X 1" Angle Bar		

} *minimum 3mm thickness

Note: Bid price is on per linear meter basis



FULL FRAME: Sample framing only

Submitted By: _____
Company Name & Signature over Printed Name

Date: _____

EXHIBITION SIGNAGE PRINTER / CONTRACTOR BIDDING FORM

XIII. INSTALLATION/ DISMANTLING/ AND 2 WAY HAULING OF EXISTING CITEM SIGNAGES (Including Structure/Frame Components)

MATERIAL	COST
Aisle Signage (1 LOT)	
Indoor Signage	

Outdoor Signage (eg. fence banners, billboard)	
1- 5 sq.m.	
6-10 sq.m.	
10 sq.m. and above	

Submitted By: _____
 Company Name & Signature over Printed Name

Date: _____

EXHIBITION SIGNAGE PRINTER / CONTRACTOR BIDDING FORM

XIV. VINYL STICKER CUT OUT

Note: Bidding price is on a per square meter basis, inclusive of materials and cost of sticker.

XIV.A. COST OF VINYL STICKER CUT-OUTS with TRANSFER TAPE (Delivery Only)

Vinyl Sticker Cut-out with transfer tape	
--	--

XIV.B. COST OF VINYL STICKER CUT-OUTS with TRANSFER TAPE (Delivery, Installation, Dismantling, 2-Way Hauling)

Vinyl Sticker Cut-out with transfer tape	
--	--

XIV.C. COST OF VINYL STICKER CUT-OUT MOUNTED ON CUT OUT MATERIAL (Delivery Only)

	Acrylic			Plywood		Sintra Board		
	3mm	6mm	12mm	½" thk	¾" thk	3mm	6mm	12mm
Vinyl Sticker Cut-out mounted on cutout material:								

XIV.D. COST OF VINYL STICKER CUT-OUT MOUNTED ON CUT OUT MATERIAL (Delivery, Installation, Dismantling, 2-Way Hauling)

	Acrylic			Plywood		Sintra Board		
	3mm	6mm	12mm	½" thk	¾" thk	3mm	6mm	12mm
Vinyl Sticker Cut-out mounted on cutout material:								

Submitted By: _____
Company Name & Signature over Printed Name

Date: _____

EXHIBITION SIGNAGE PRINTER / CONTRACTOR BIDDING FORM

XV. VINYL STICKER COST OF MATERIAL (DELIVERY ONLY)
Note: Bidding price is on a per square meter basis, inclusive of materials and cost of sticker.

Vinyl Sticker	
---------------	--

XVI. VINYL STICKER COST OF MATERIAL WITH INSTALLATION ON EXISTING PANEL STRUCTURE
Note: Bidding price is on a per square meter basis, inclusive of materials and cost of sticker.

Vinyl Sticker	
---------------	--

XVII. DIGITAL PRINT STICKER CUT OUT
Note: Bidding price is on a per square meter basis, inclusive of materials and cost of sticker.

XVII.A. COST OF DIGITAL PRINT OF STICKER CUT-OUTS WITH TRANSFER TAPE (Delivery Only)

Digital Sticker Cut-out with transfer tape	
--	--

XVII.B. COST OF DIGITAL PRINT OF STICKER CUT-OUTS WITH TRANSFER TAPE (Print, Delivery, Installation, Dismantling, 2-Way Hauling)

Digital Sticker Cut-out with transfer tape	
--	--

Submitted By: _____
 Company Name & Signature over Printed Name

Date: _____

EXHIBITION SIGNAGE PRINTER / CONTRACTOR BIDDING FORM

XVII.C. COST OF DIGITAL PRINTING OF STICKER CUT-OUT MOUNTED ON CUT-OUT MATERIAL (Delivery Only)

	Acrylic			Plywood		PVC Board			3mm Sintra Board
	3mm	6mm	12mm	1/2" thk	3/4" thk	3mm	6mm	12mm	
Digital Sticker Cut-out mounted on cut-out material:									

XVII.D. COST OF DIGITAL PRINTING OF STICKER CUT-OUT MOUNTED ON CUT-OUT MATERIAL (Print, Delivery, Installation, Dismantling, 2-Way Hauling)

	Acrylic			Plywood		PVC Board			3mm Sintra Board
	3mm	6mm	12mm	1/2" thk	3/4" thk	3mm	6mm	12mm	
Digital Sticker Cut-out mounted on cut-out material:									

XVIII. BOARD CUT OUT

XVIII.A. COST OF MATERIALS (Delivery only)

Sintra Board 3mm	
Sintra Board 6mm	
Sintra Board 12mm	
Acrylic 3mm	
Acrylic 6mm	
Acrylic 12mm	
Acrylic built up letters	

Note: Bidding price is on a per square meter basis

Submitted By: _____
Company Name & Signature over Printed Name

Date: _____

EXHIBITION SIGNAGE PRINTER / CONTRACTOR BIDDING FORM

XVIII.B. COST OF LABOR AND MATERIALS (Delivery, Installation, Dismantling & 2-Way Hauling)

Sintra Board 3mm	
Sintra Board 6mm	
Sintra Board 12mm	
Acrylic 3mm	
Acrylic 6mm	
Acrylic 12mm	
Acrylic built up letters	

Note: Bidding price is on a per square meter basis, inclusive of materials cost of BOARD CUT-OUT and installation.

Submitted By: _____
Company Name & Signature over Printed Name

Date: _____

EXHIBITION SIGNAGE PRINTER / CONTRACTOR BIDDING FORM

XVII. PRINTING AND MATERIALS (Materials c/o Contractor)

Acrylic	Wood	Glass	3mm Sintra Board	Foam Board	Tiles	Tin Plate	Back-lit Film
1-5 sq.m							
6-10 sq.m							
10 sq.m and above							

XIX. PRINTING, INSTALLATION, DISMANTLING, 2-WAY HAULING OF BACKLIT POSTER DURATRANS

IMAGE PRINT DURATRANS MATERIAL: _____ / SQ.M

Submitted By: _____
 Company Name & Signature over Printed Name

Date: _____

