

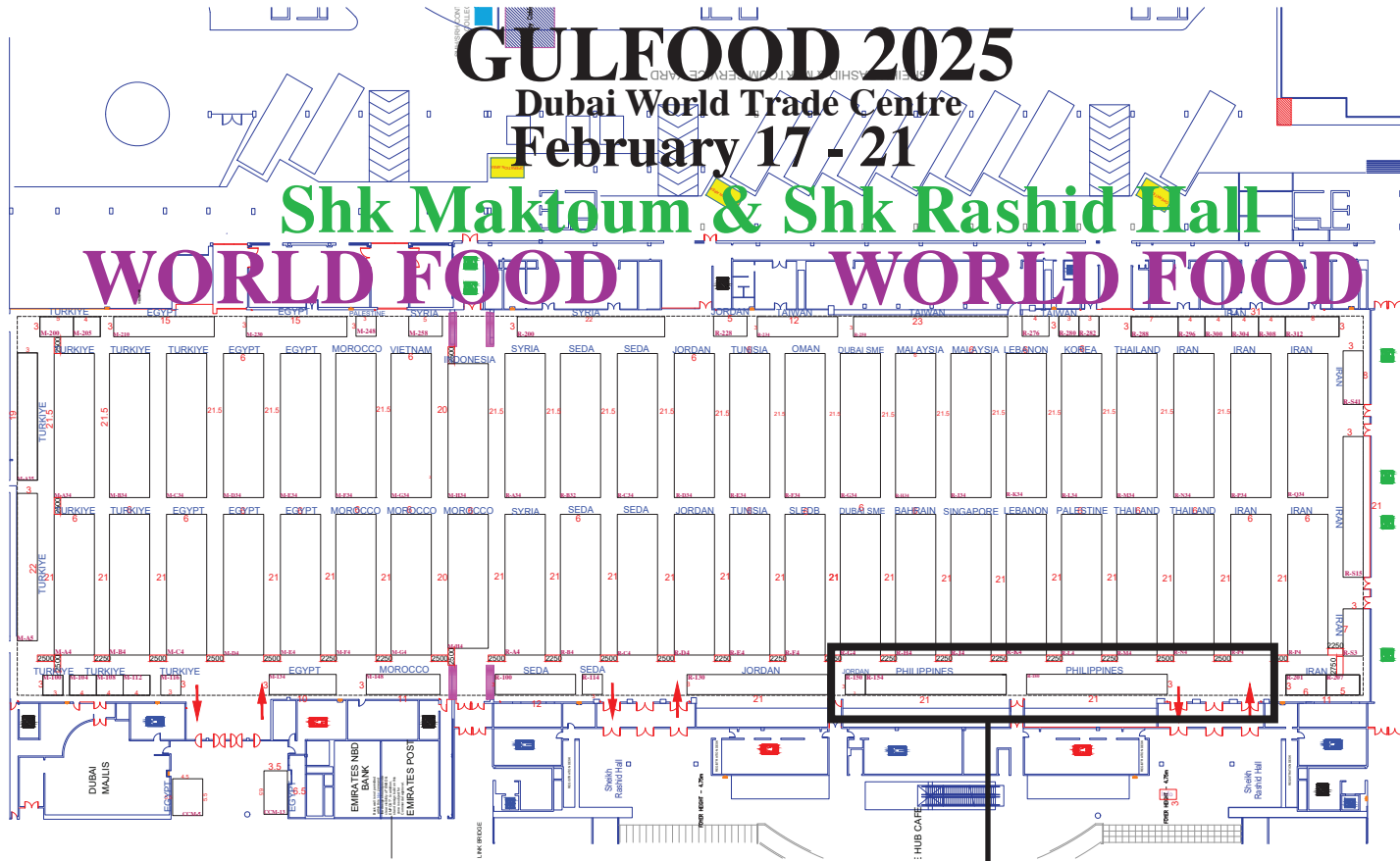
# PHILIPPINE PAVILION

*Gulfood*

**17-21 FEB 2025**  
DUBAI WORLD TRADE CENTRE



GULFOOD 2025  
 PHILIPPINE PAVILION  
 LOCATION

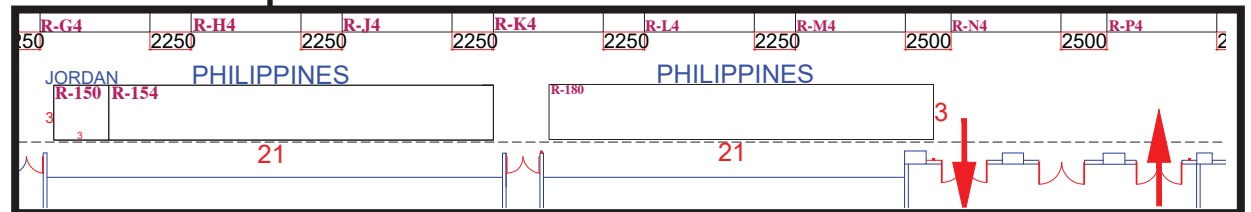


**GULFOOD 2025**  
 Dubai World Trade Centre  
 February 17 - 21

**Shk Maktoum & Shk Rashid Hall**

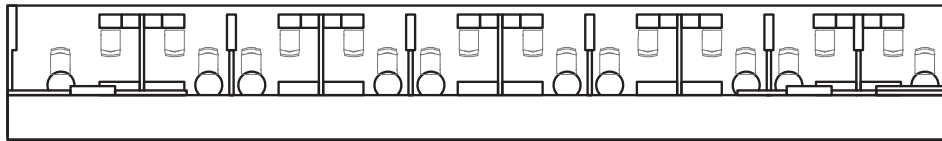
**WORLD FOOD WORLD FOOD**

Philippines@GF25-WF  
 21x3+21x31=126m<sup>2</sup>



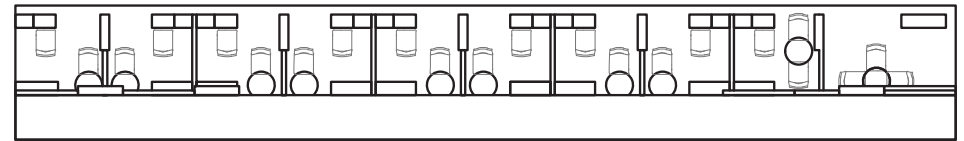
GULFOOD 2025  
PHILIPPINE PAVILION  
ACTUAL ORIENTATION

FRONT



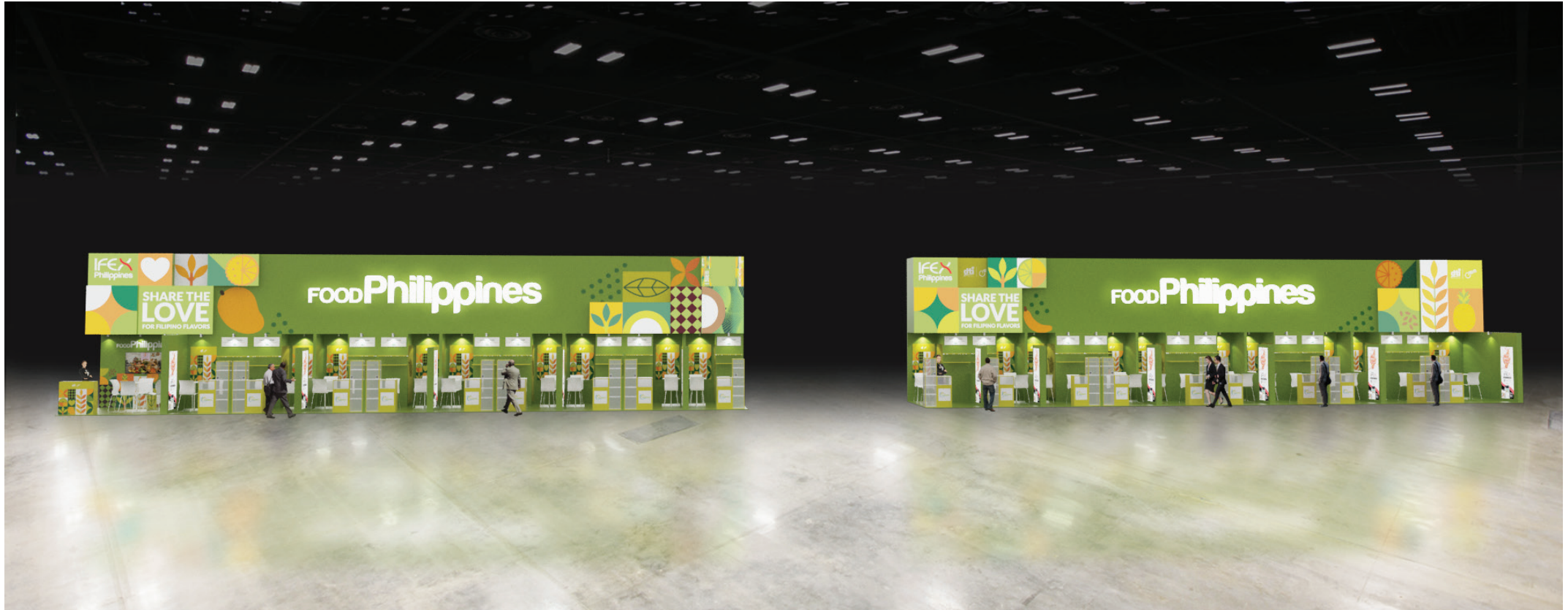
*Pavilion B*

FRONT



*Pavilion A*

GULFOOD 2025  
PHILIPPINE PAVILION  
RENDITION



PAVILION A

PAVILION B

GULFOOD 2025  
PHILIPPINE PAVILION  
RENDITION - PAVILION A



GULFOOD 2025  
PHILIPPINE PAVILION  
RENDITION - PAVILION B



**GULFOOD 2025**  
**PHILIPPINE PAVILION**  
 CITEM AREA & EXHIBITOR'S AREA

**CITEM AREA**



50" LED TV

Lighted

Infocounter



All entrance to storage has double curtain (fabric with print) with curtain rod

**EXHIBITORS AREA**



Company Ad 1 (0.8m x 1.2m)

Display Cabinet

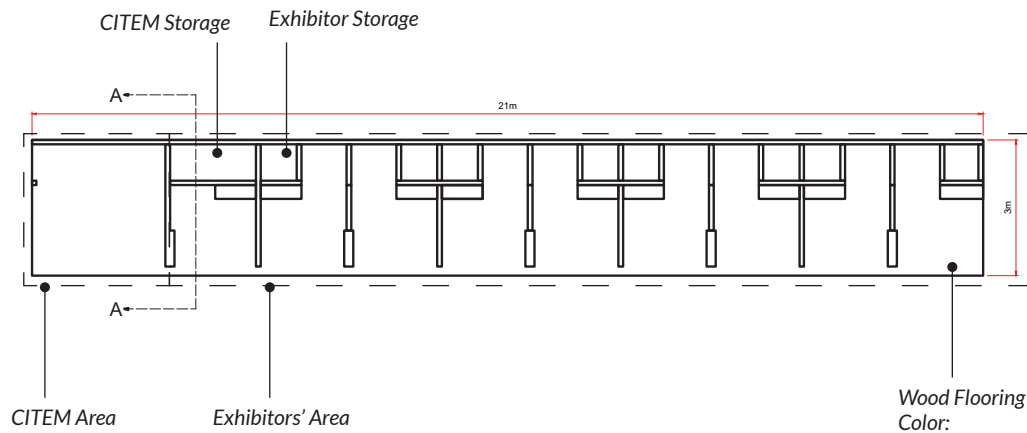
Exhibitor Counter

Company Ad 2 (0.6m x 1.8m)  
 Lighted

Company Name

LED Strip light

GULFOOD 2025  
PHILIPPINE PAVILION  
SECTIONS

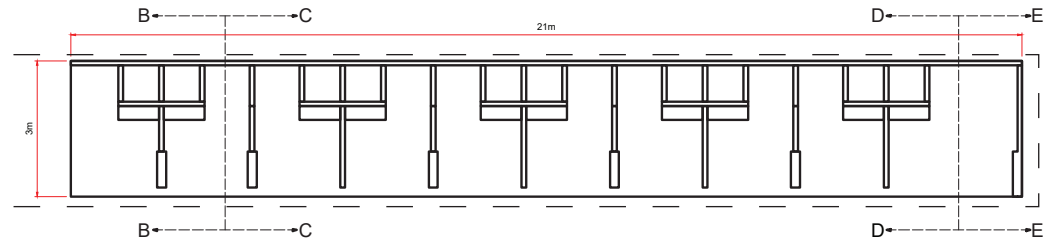


FRONT  
Pavilion A

Wood Flooring  
Color:



PANTONE®  
377 U

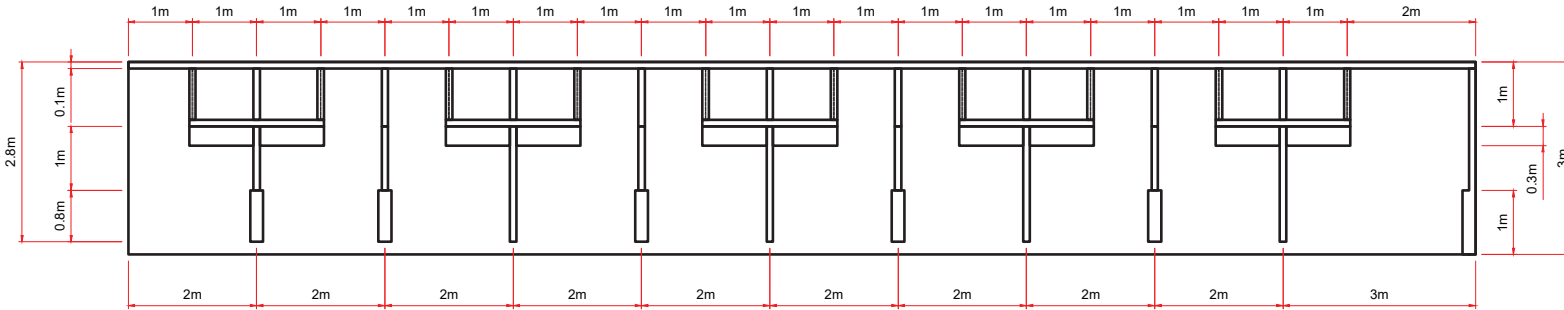


FRONT  
Pavilion B

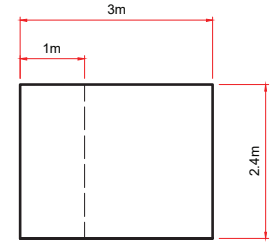




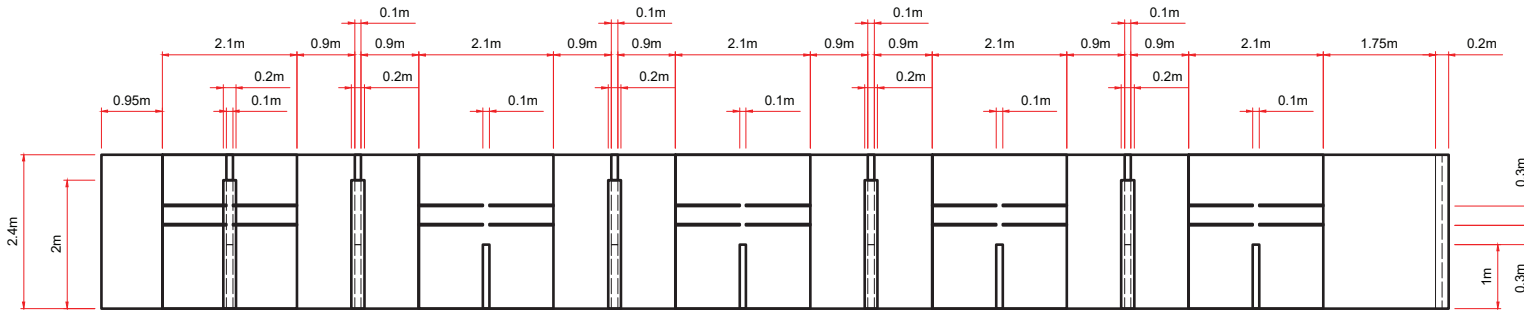
**GULFOOD 2025**  
**PHILIPPINE PAVILION**  
 PAVILION B - STRUCTURE



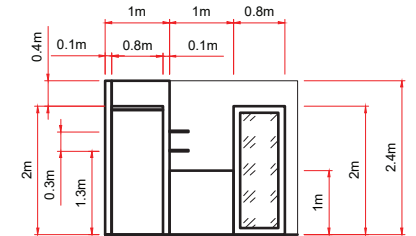
TOP VIEW



RIGHT SIDE VIEW

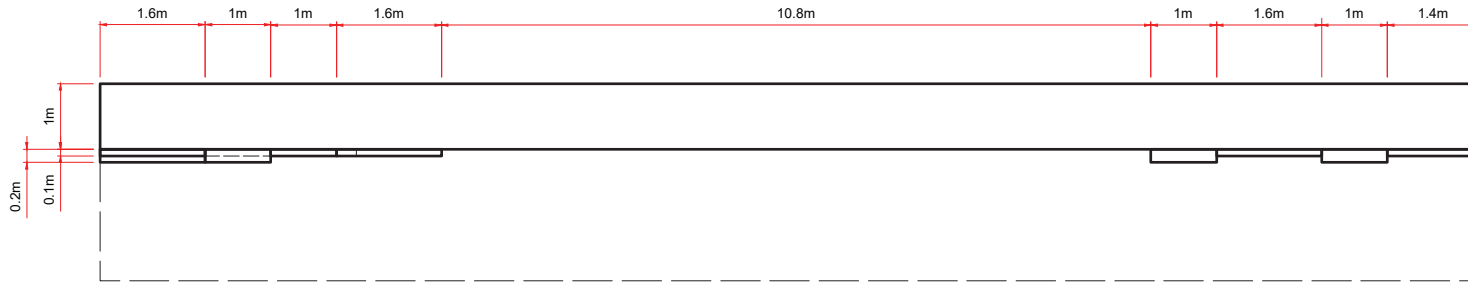


FRONT VIEW

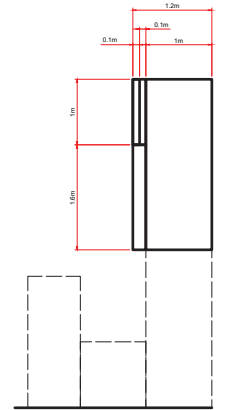


LEFT SIDE VIEW

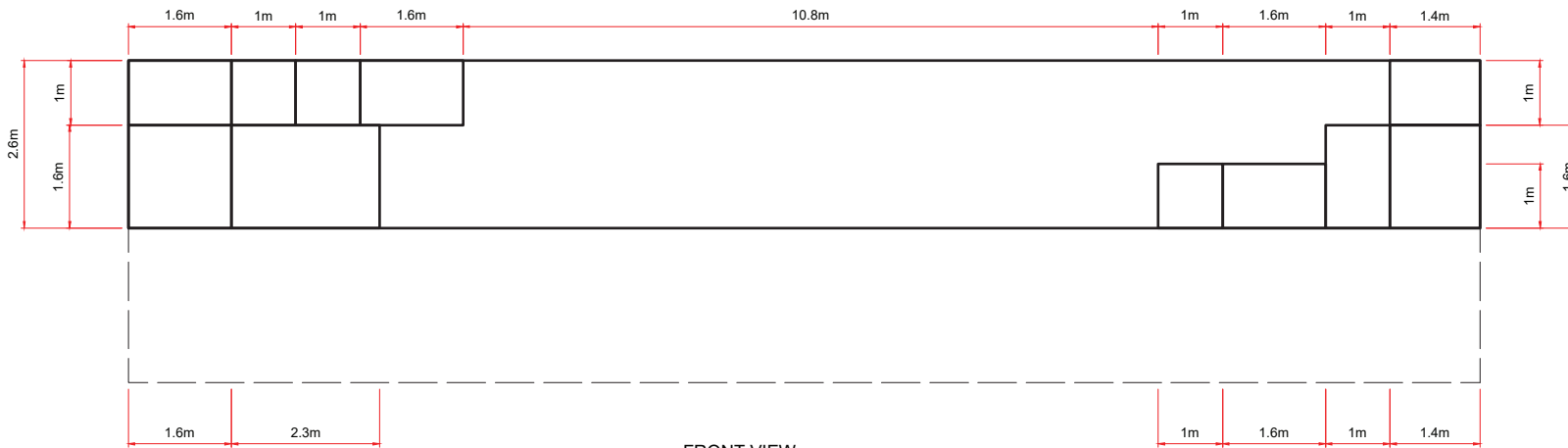
**GULFOOD 2025**  
**PHILIPPINE PAVILION**  
 PAVILION A - OVERHEAD



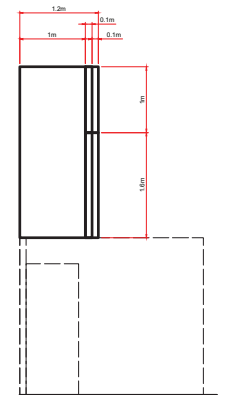
TOP VIEW



RIGHT SIDE VIEW

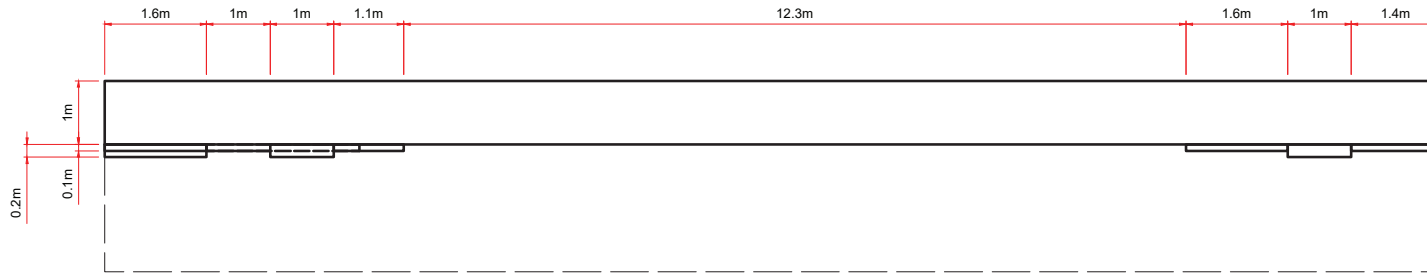


FRONT VIEW

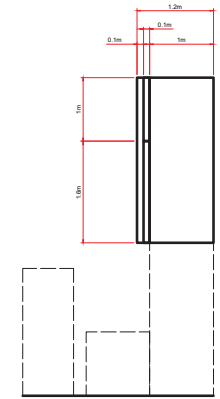


LEFT SIDE VIEW

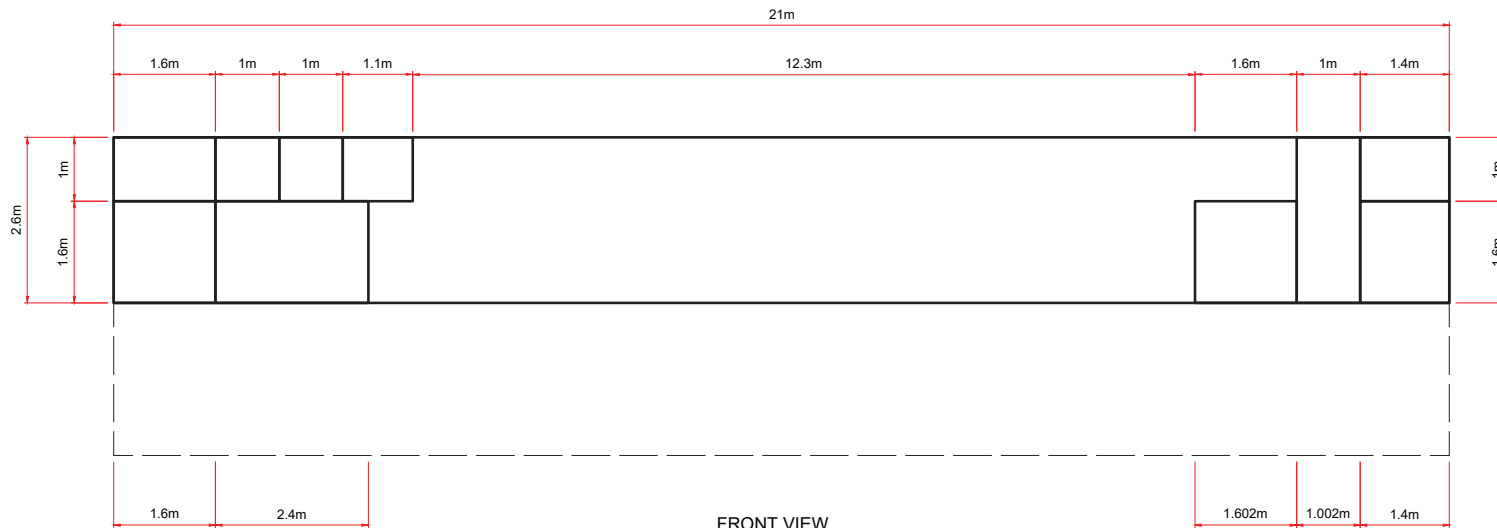
**GULFOOD 2025**  
**PHILIPPINE PAVILION**  
 PAVILION B - OVERHEAD



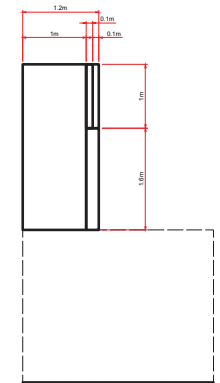
TOP VIEW



RIGHT SIDE VIEW

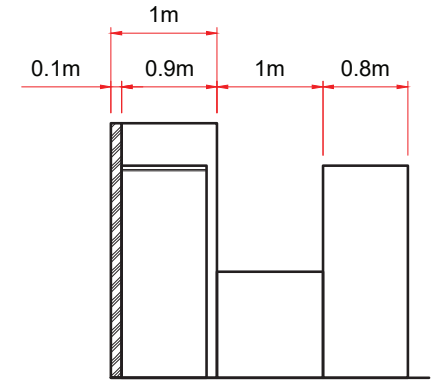
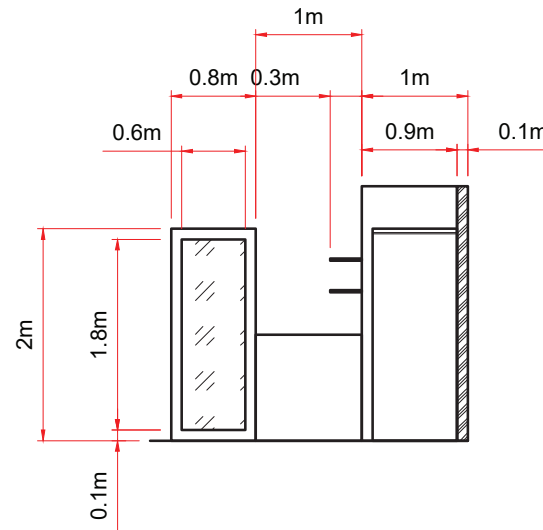
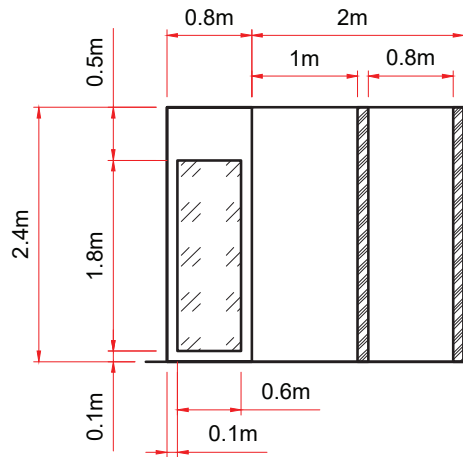


FRONT VIEW



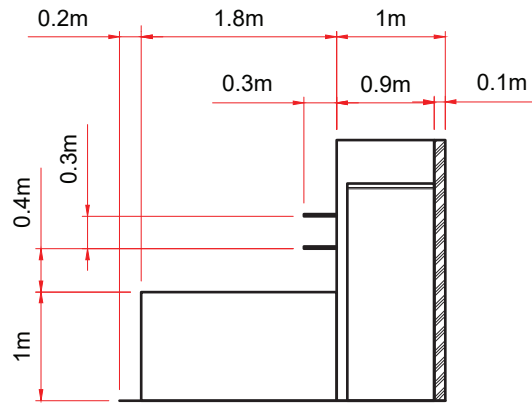
LEFT SIDE VIEW

GULFOOD 2025  
PHILIPPINE PAVILION  
SECTIONAL PART 1

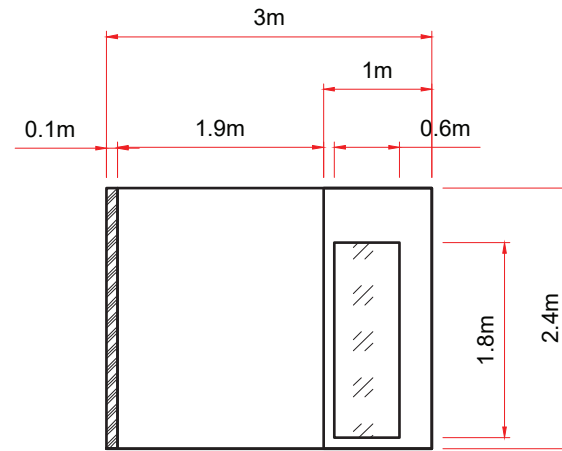


Printed on Panaflex with lightbox

GULFOOD 2025  
PHILIPPINE PAVILION  
SECTIONAL PART 2



SECTION D-D

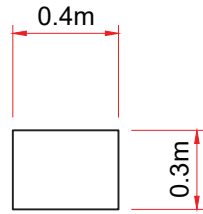


SECTION E-E

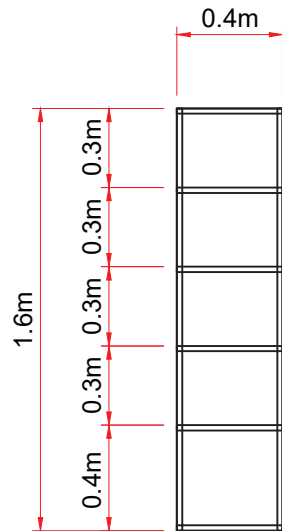


Printed on Panaflex with lightbox

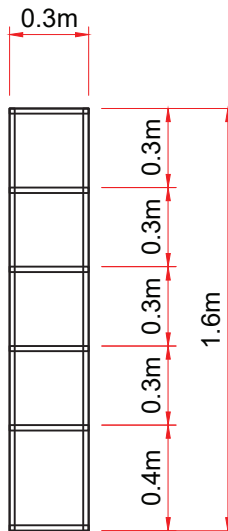
GULFOOD 2025  
PHILIPPINE PAVILION  
DISPLAY CABINET - 19 UNITS



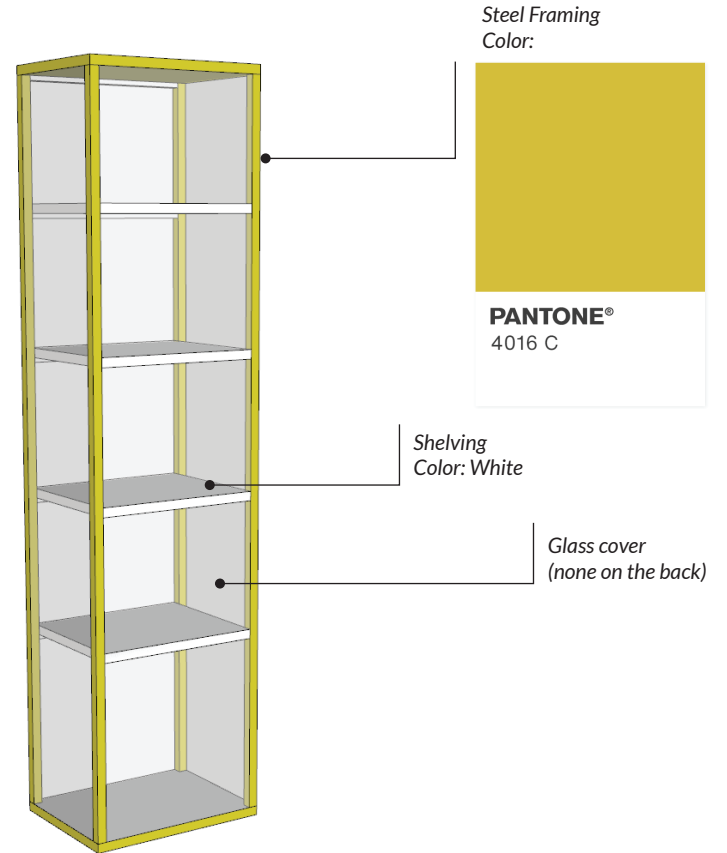
TOP VIEW



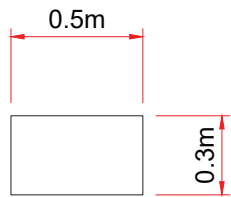
FRONT VIEW



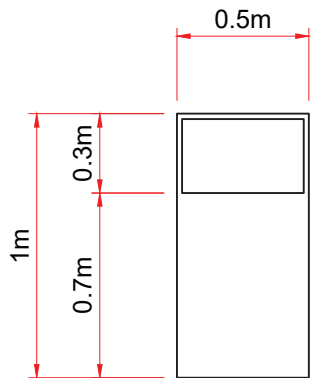
RIGHT SIDE VIEW



**GULFOOD 2025**  
**PHILIPPINE PAVILION**  
EXHIBITOR COUNTER - 19 UNITS



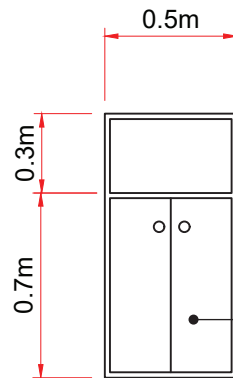
TOP VIEW



FRONT VIEW

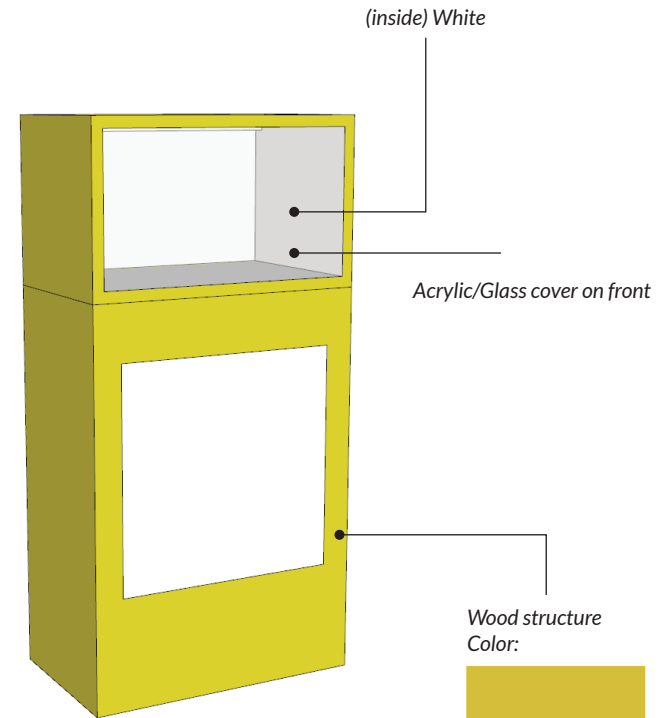


RIGHT SIDE VIEW



REAR SIDE VIEW

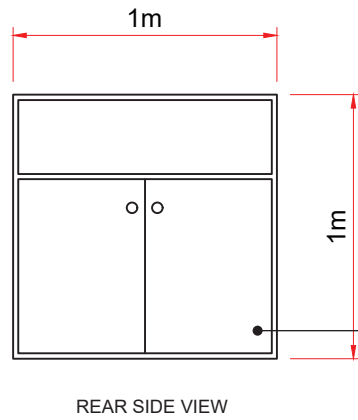
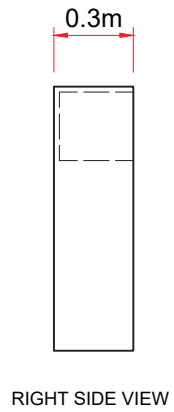
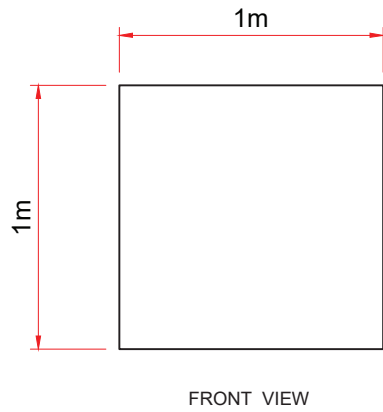
Lockable Cabinet



**PANTONE®**  
4016 C



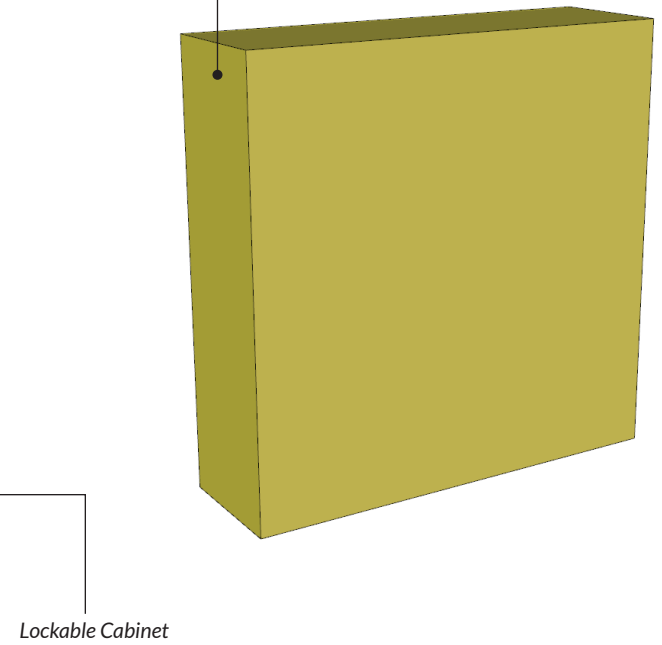
GULFOOD 2025  
PHILIPPINE PAVILION  
INFO COUNTER - 1 UNIT



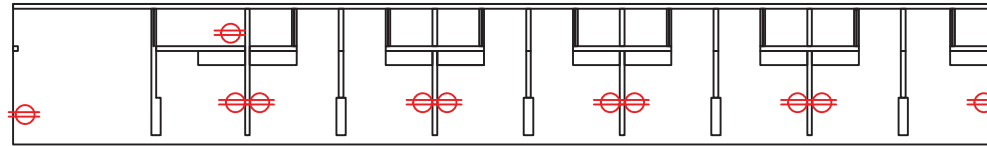
Wood structure  
color:



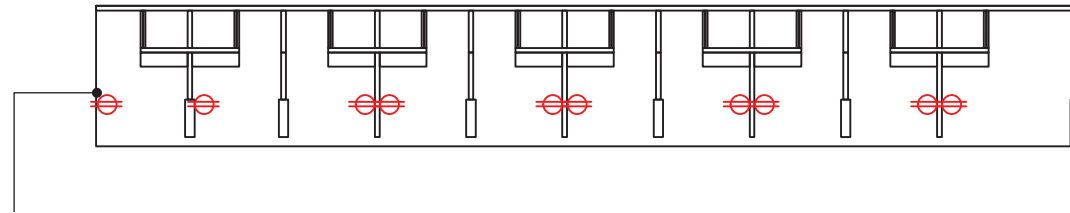
PANTONE®  
4016 C



GULFOOD 2025  
PHILIPPINE PAVILION  
ELECTRICAL



PAVILION A - TOP VIEW



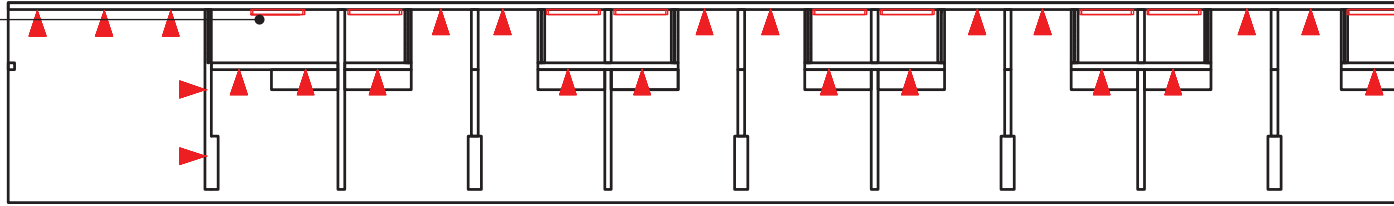
3Gang Convenience outlet 300watts

PAVILION B - TOP VIEW



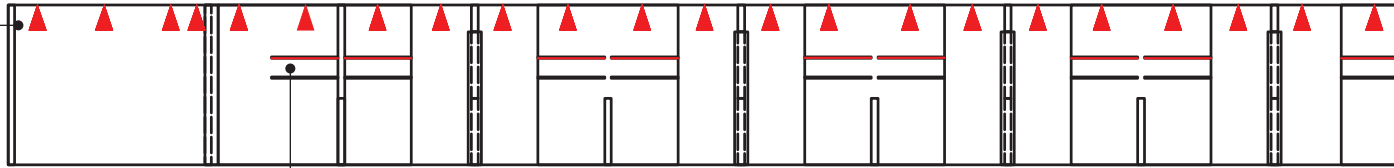
3Gang Convenience outlet - 21 units

GULFOOD 2025  
PHILIPPINE PAVILION  
LIGHTING - PAVILION A



E.L. 2.4m  
T5 LED tube 10-16W

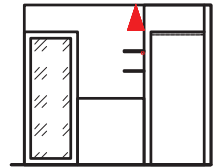
TOP VIEW



E.L. @ 2.4m  
12W Spotlight (warm white)

LED StripLight (warmwhite)

FRONT VIEW

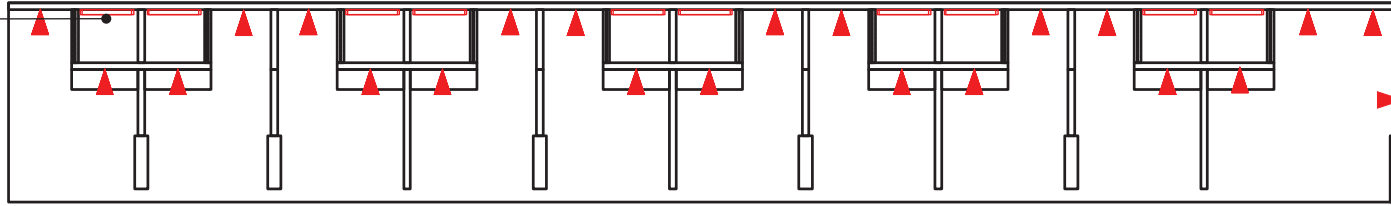


RIGHT SIDE VIEW



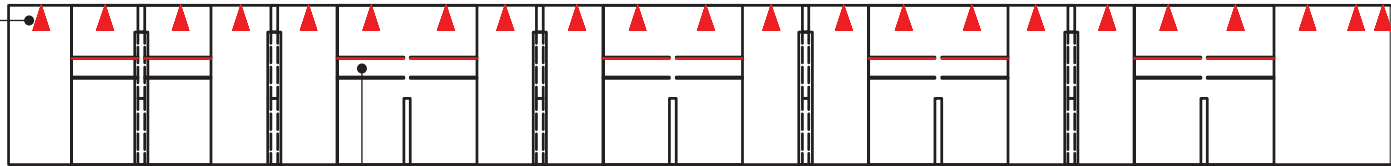
12W Spotlight (warm white) - 23 units on Pavilion A

GULFOOD 2025  
PHILIPPINE PAVILION  
LIGHTING - PAVILION B



E.L. 2.4m  
T5 LED tube 10-16W

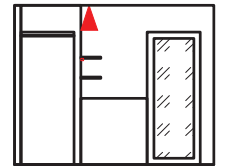
TOP VIEW



E.L. @ 2.4m  
12W Spotlight (warm white)

LED StripLight (warmwhite)

FRONT VIEW

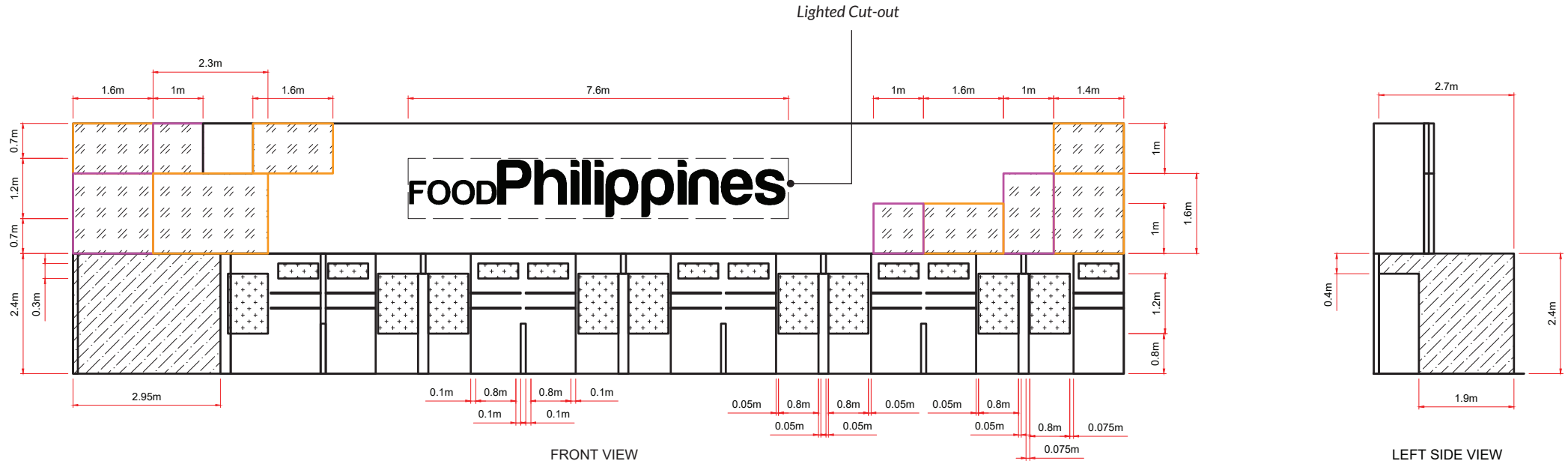


LEFT SIDE VIEW



12W Spotlight (warm white) - 22 units on Pavilion B

**GULFOOD 2025**  
**PHILIPPINE PAVILION**  
 GRAPHICS - PAVILION A



Printable Sticker



Printed on Panaflex with lightbox



Printed on Panaflex with lightbox (0.1m width)

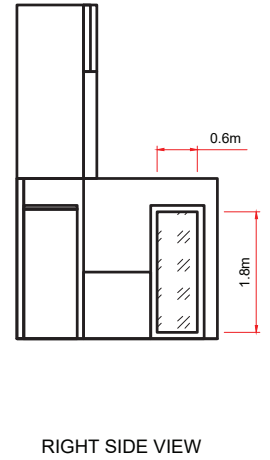


Printed on Panaflex with lightbox (0.2m width)



Printable Sticker mounted on sintraboard

**GULFOOD 2025**  
**PHILIPPINE PAVILION**  
 GRAPHICS - PAVILION B



Printable Sticker



Printed on Panaflex with lightbox



Printable Sticker mounted on sintraboard



Printed on Panaflex with lightbox (0.1m width)



Printed on Panaflex with lightbox (0.2m width)

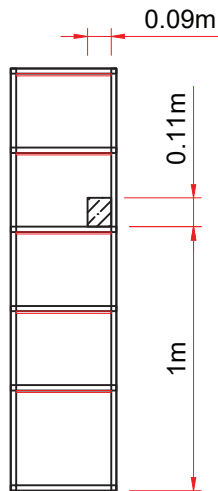
GULFOOD 2025

# PHILIPPINE PAVILION

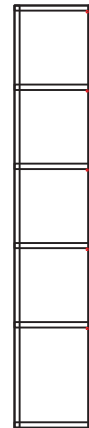
GRAPHICS - DISPLAY CABINET (19 UNITS)



TOP VIEW



FRONT VIEW



RIGHT SIDE VIEW



Printable Sticker

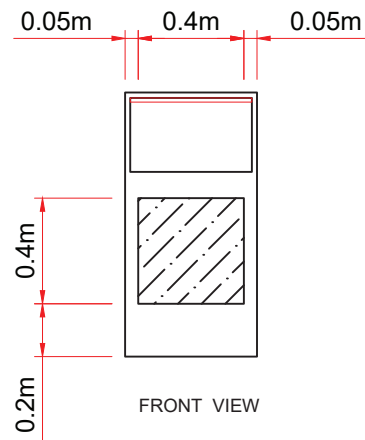
GULFOOD 2025

# PHILIPPINE PAVILION

GRAPHICS - EXHIBITOR COUNTER (19 UNITS)



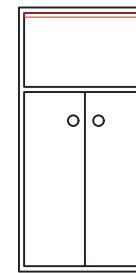
TOP VIEW



FRONT VIEW



RIGHT SIDE VIEW



REAR SIDE VIEW



Printable Sticker mounted on sintraboard



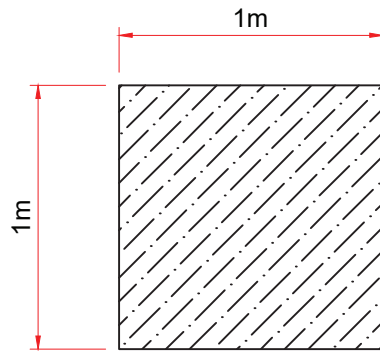
GULFOOD 2025

# PHILIPPINE PAVILION

GRAPHICS - INFO COUNTER (1 UNIT)



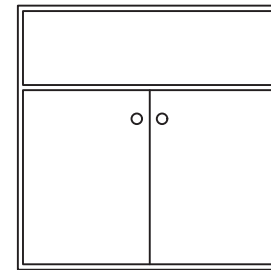
TOP VIEW



FRONT VIEW



RIGHT SIDE VIEW



REAR SIDE VIEW



Printable Sticker

**GULFOOD 2025**

**PHILIPPINE PAVILION**

**CHECKLIST**

<b>I. STRUCTURE &amp; FABRICATION</b>	<b>TOTAL QTY.</b>
I.A.) FLOORING - WOOD FLOORING CLADDED IN STICKER/PAINT	126 SQM
I.B.) MAIN STRUCTURE - WOOD STRUCTURE PAINTED IN APPROVED COLOR	1 LOT
I.C.) INFO COUNTER	1 UNIT
I.D.) EXHIBITOR COUNTER	19 UNITS
I.E.) DISPLAY CABINET	19 UNITS
<b>II. ELECTRICALS</b>	
II.A.) 12W LED SPOTLIGHT (WARM WHITE)	45 UNITS
II.B.) 3 GANG CONVENIENCE OUTLET WITH 1M CORD	21 UNIS
II.C.) CIRCUIT BREAKER (CONTRACTOR TO PROVIDE RATING & LOCATION) ( LIGHTING & CONVENIENCE OUTLET)	2 UNITS
II.D.) T5 LED TUBE 10-16w	19 UNITS
II.E.) ELECTRICAL CONSUMPTION (INGRESS & EVENT)	1 LOT
<b>III. FURNITURE &amp; EQUIPMENT RENTAL</b>	
III.A.) NEGOTIATION TABLE ROUND (0.6M)	20 UNITS
III.B.) NEGOTIATION CHAIR	42 UNITS
III.C.) SMALL CABINET (ANY BRAND) - PLACEMENT OF COFFEE MAKER AND CONDIMENTS	1 UNIT
III.D.) 50" LED TV- MOUNTED ON WALL	1 UNIT
III.E.) MEDIUM SIZE TRASHBIN WITH LID AND GARBAGE BAG (1 FOR EACH EXHIBITORS & 1 FOR INFO COUNTER )	20 UNITS
III.F.) HOT & COLD WATER DISPENSER (FLOOR STANDING)	1 UNIT
III.G.) WATER GALLON PER DAY (2 GAL./DAY)	10 GAL.
III.H.) COMMERCIAL COFFEE MAKER (100 CUPS)	1 SET
III.I.) PAPER CUPS & STIRRER	600 CUPS/SET
III.J.) COFFEE BAG, CREAMER & SUGAR WITH CONDIMENTS ORGANIZER (ANY BRAND)	6 BAGS
III.K.) FABRIC WITH PRINT AND CURTAIN ROD (0.8m x 2m)	20 UNITS
<b>IV. GRAPHICS &amp; LETTER CUT-OUTS</b>	
IV.A.) ACRYLIC LETTER CUT-OUT LIGHTED	20 SQM
IV.B.) PRINT ON PANAFLEX WITH LIGHT (OVERHEAD)	40 SQM
IV.C.) COMPANY NAME - PRINTABLE STICKER MOUNTED ON SINTRABOARD MATTE FINISH	6 SQM
IV.E.) COMPANY AD 1 - PRINTABLE STICKER MOUNTED ON SINTRABOARD MATTE FINISH	22 SQM
IV.F.) COMPANY AD 2 - PRINT ON PANAFLEX WITH LIGHT (EXHIBITORS)	25 SQM
IV.G.) EXHIBITOR LOGO - PRINTABLE STICKER MATTE FINISH	4 SQM
IV.H.) OVERHEAD GRAPHICS- PRINTABLE STICKER MATTE FINISH	50 SQM
I.V.I.) CITEM AREA GRAPHICS - PRINTABLE STICKER MATTE FINISH	15 SQM
IV.J.) QR CODE - PRINTABLE STICKER MATTE FINISH	1 SQM
IV.K.) PRINTABLE STICKER MOUNTED ON SINTRABOARD	20 SQM