

# DESIGN **Philippines**

**ambiente**

07-11 FEBRUARY 2025

# ambiente

## **AREA 1 | HALL 10.4 C51**

DESIGN PHILIPPINES - COLLECTIVE SHOWCASE

## **AREA 2 | HALL 10.4 A49,B47**

DESIGN PHILIPPINES - PARTNER PROVINCE

## **AREA 3 | HALL 10.1**

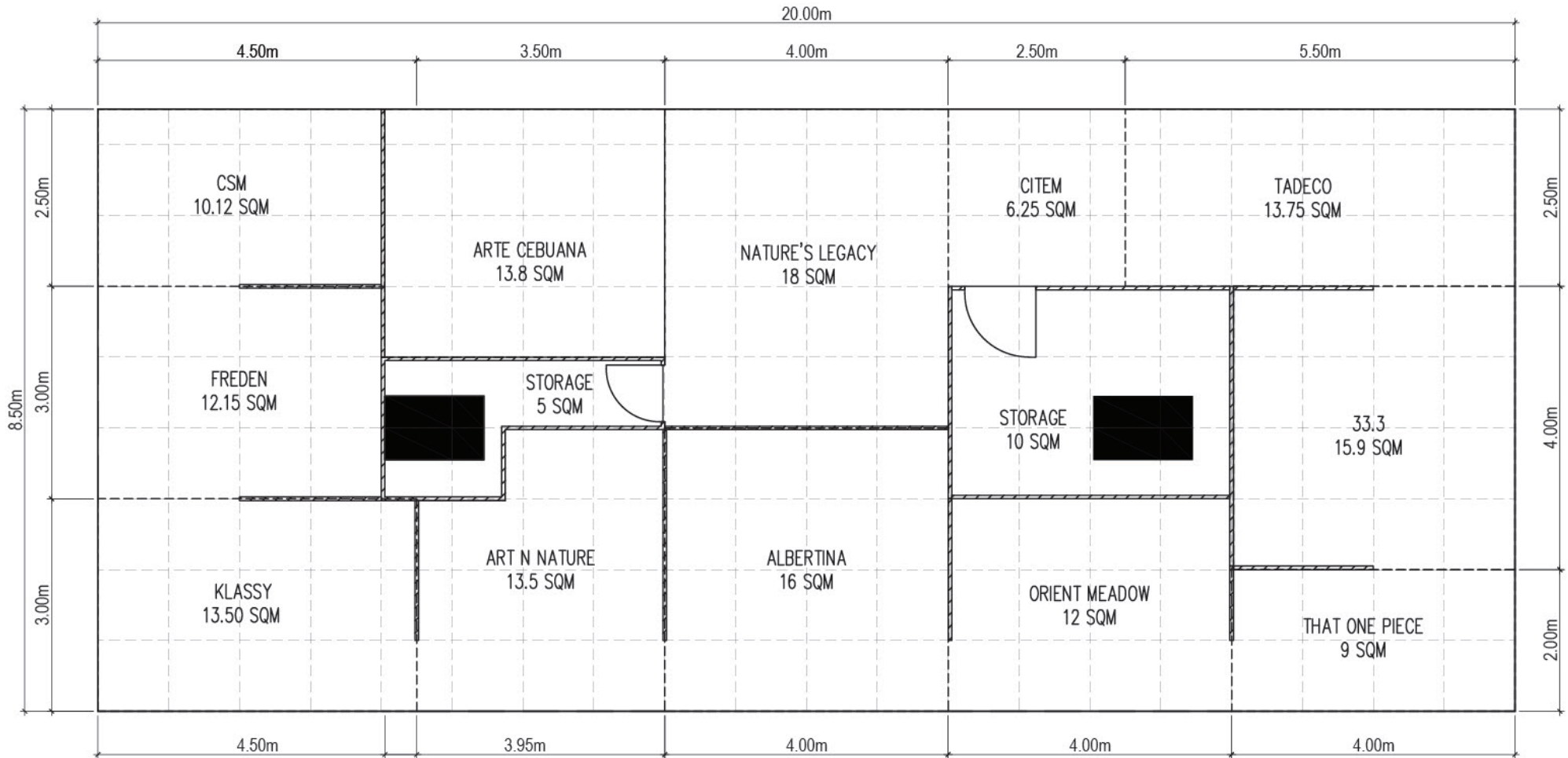
DESIGN PHILIPPINES - FOYER

# ambiente

**AREA 1 | HALL 10.4 C51**

**DESIGN PHILIPPINES - COLLECTIVE SHOWCASE**





# ambiente

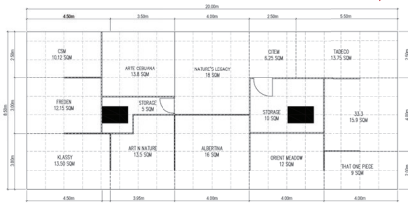
COLLECTIVE SHOWCASE

BUILT-UP CUT-OUT SIGNAGE WITH BACKLIT

WOODEN GRID OVER-HEAD OVERHEAD

METAL GRID FOR HANGING ITEMS

LOCATION MAP



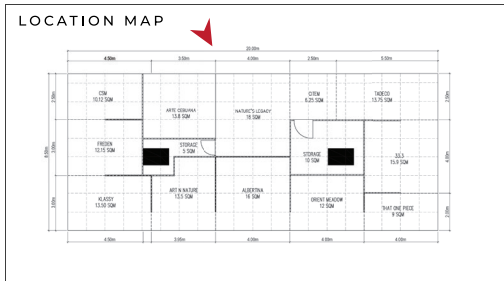
BEIGE NEEDLE PUNCH CARPET



CITEM AREA

# ambiente

COLLECTIVE SHOWCASE



WOODEN GRID OVER-HEAD OVERHEAD

METAL GRID FOR HANGING ITEMS

WRITE-UP

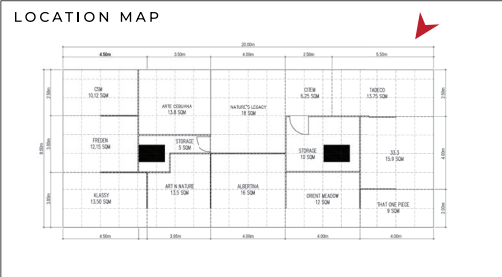
CITEM AREA

BEIGE NEEDLE PUNCH CARPET

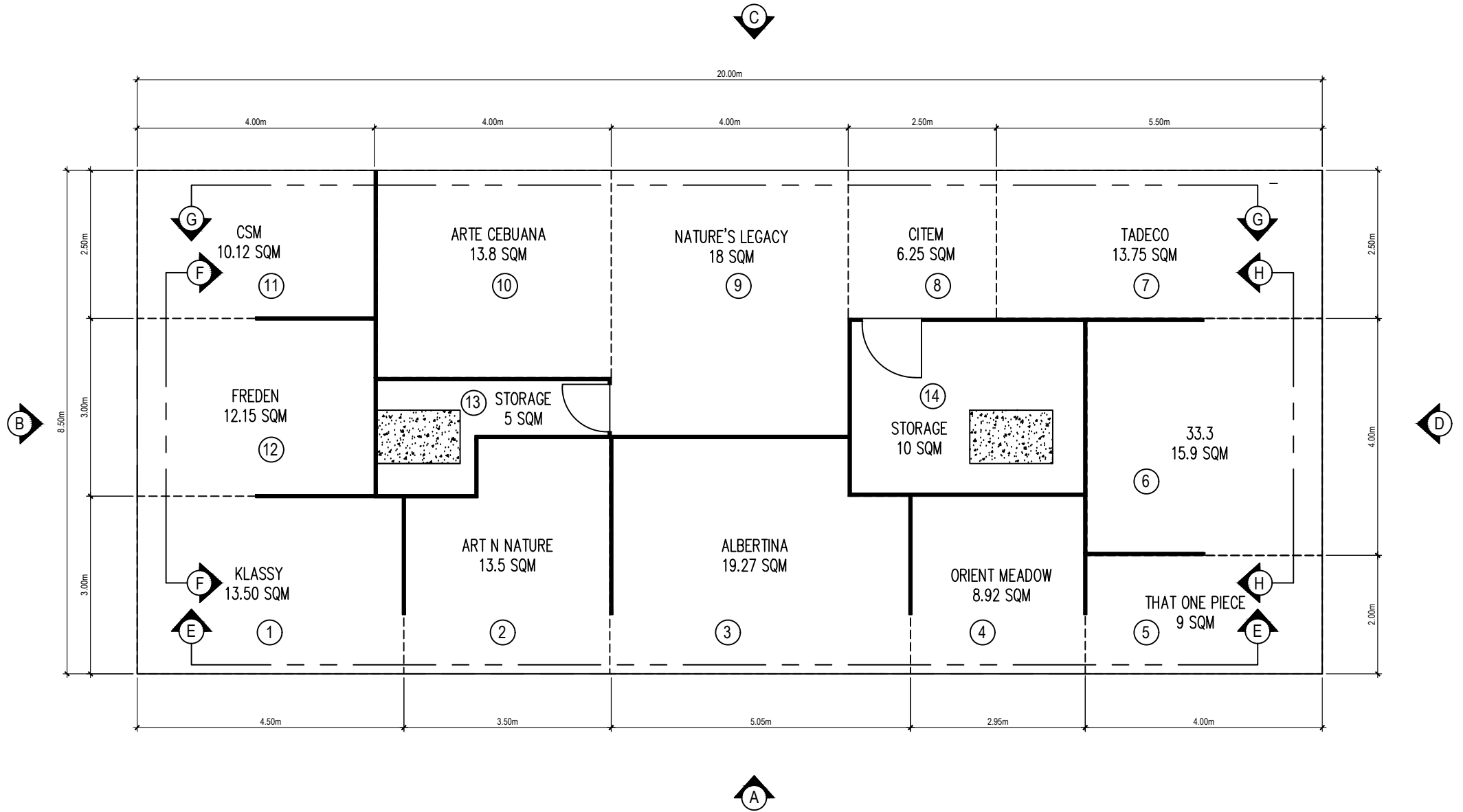



# ambiente

COLLECTIVE SHOWCASE

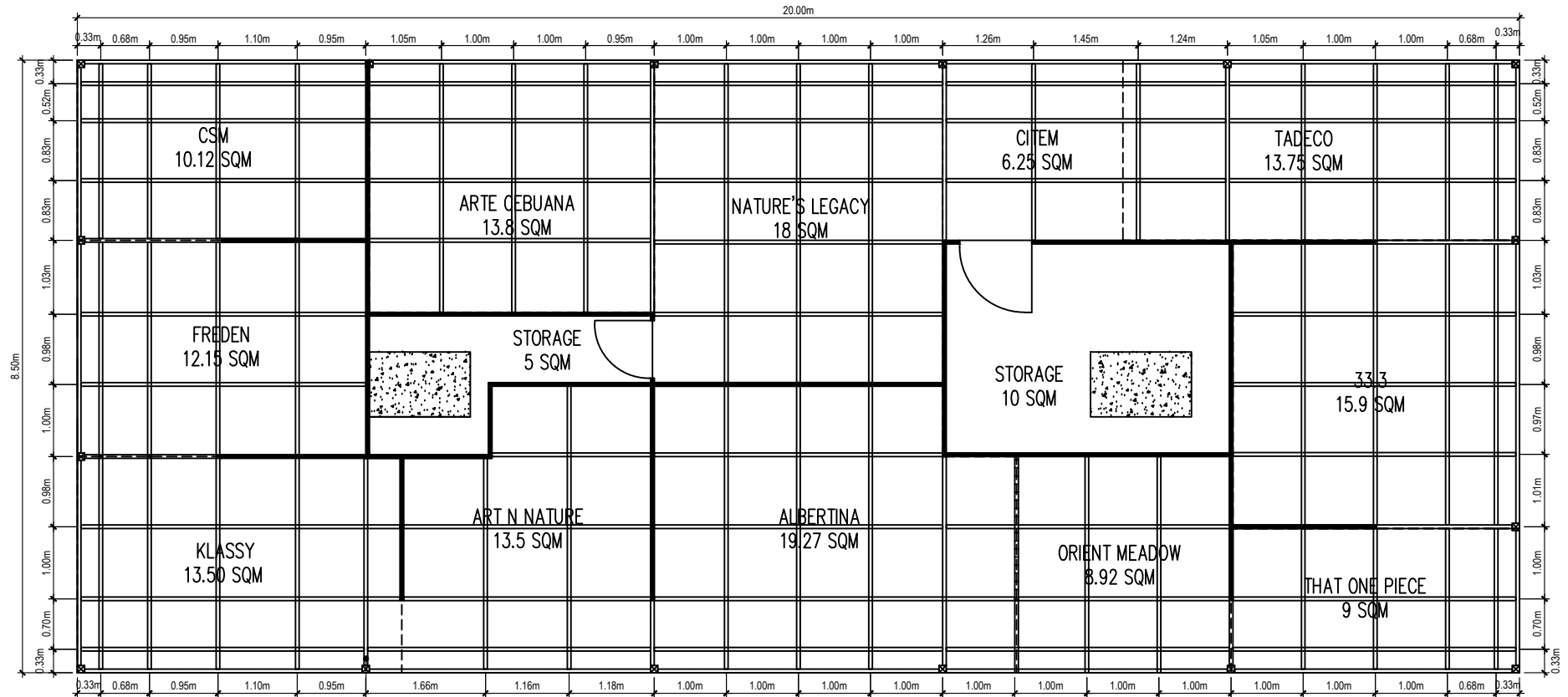







 <b>EXHIBITION DESIGN DIVISION</b>	PROJECT: <b>AMBIENTE 2025</b>
	TITLE: <b>DESIGN PHILIPPINES</b>
DATE / TIME: <b>NOVEMBER 21, 2024</b>	LOCATION: <b>FRANKFURT, GERMANY</b> PAGE: <b>01</b>

AMBIENTE 2025  
REFLECTED CEILING PLAN

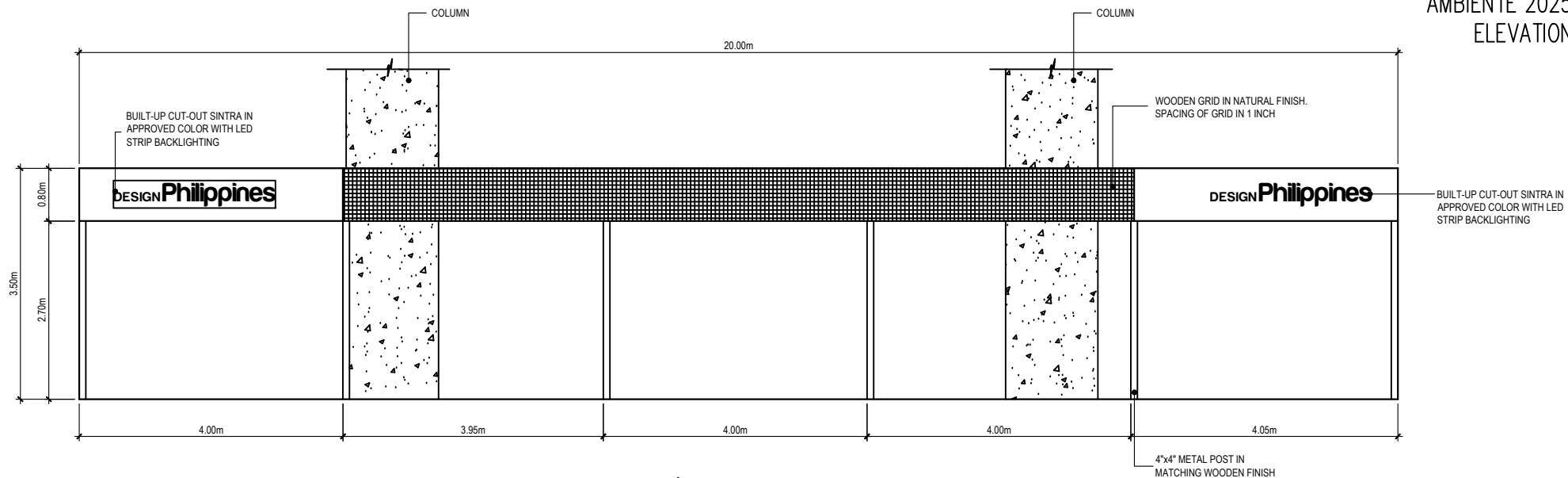


2"x3" SQUARE TUBULAR METAL IN APPROVED PAINT FINISH  
LONG GRID OVER SHORT GRID

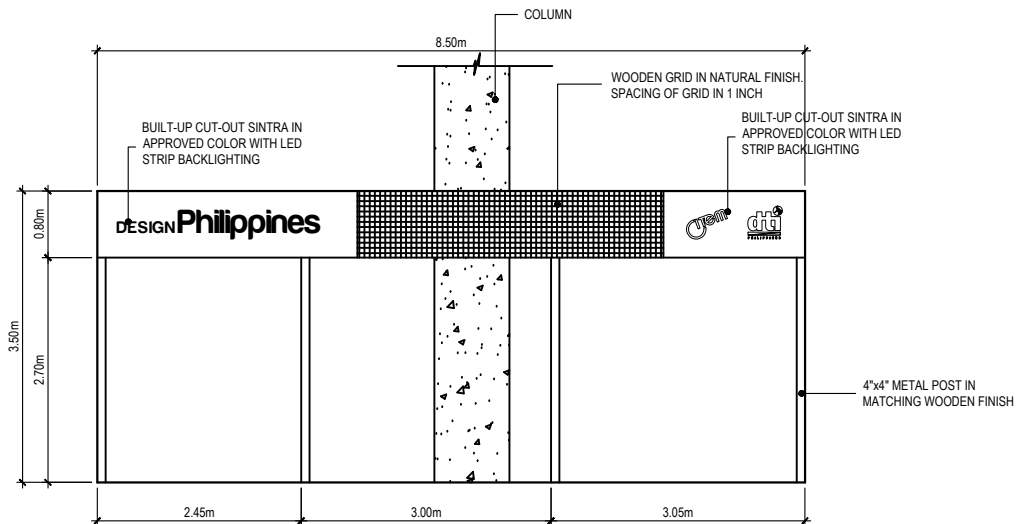
\*Note: Ensure rigidity and stability of grid for hanging items

 EXHIBITION DESIGN DIVISION	PROJECT:	AMBIENTE 2025	
	TITLE:	DESIGN PHILIPPINES	
DATE / TIME:	LOCATION:	PAGE:	
NOVEMBER 21, 2024	FRANKFURT, GERMANY	02	


# AMBIENTE 2025 ELEVATION

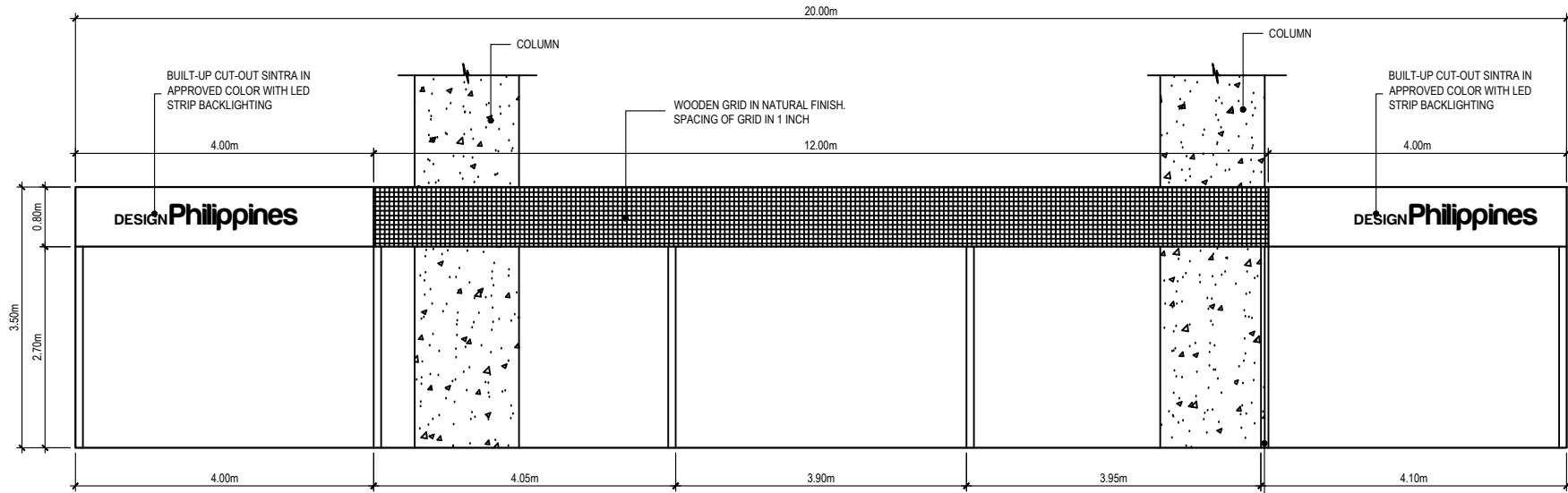


**A** ELEVATION A

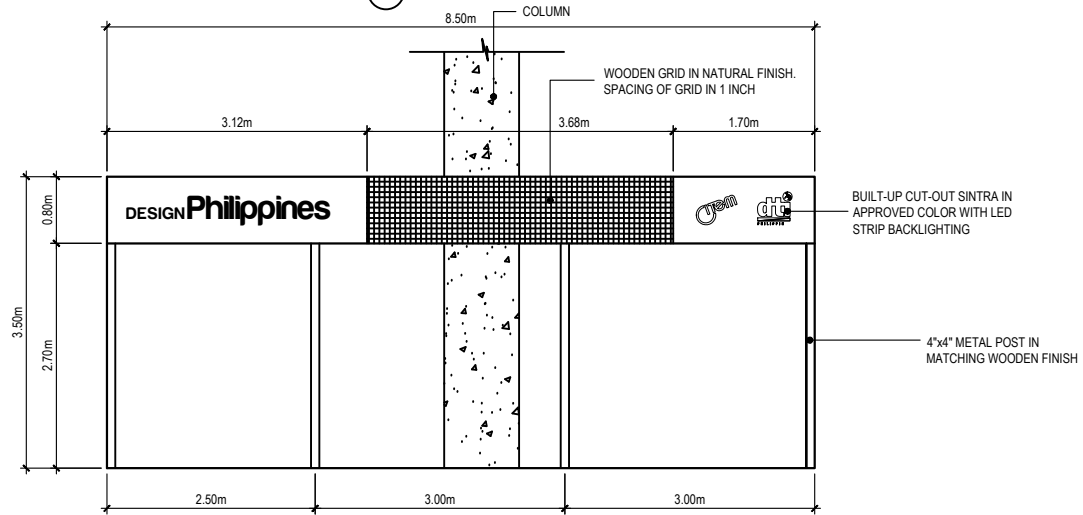


**B** ELEVATION B


 <b>EXHIBITION DESIGN DIVISION</b>	<b>PROJECT: AMBIENTE 2025</b>	
	<b>TITLE: DESIGN PHILIPPINES</b>	
<b>DATE / TIME: NOVEMBER 21, 2024</b>	<b>LOCATION: FRANKFURT, GERMANY</b>	<b>PAGE: 03</b>

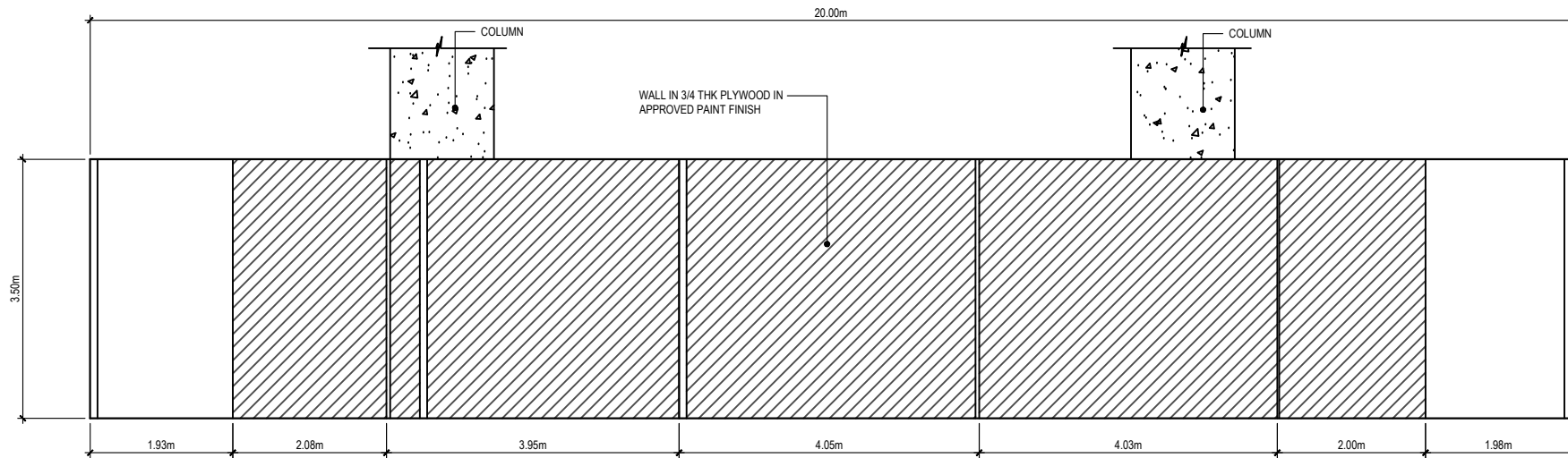


**C** ELEVATION C

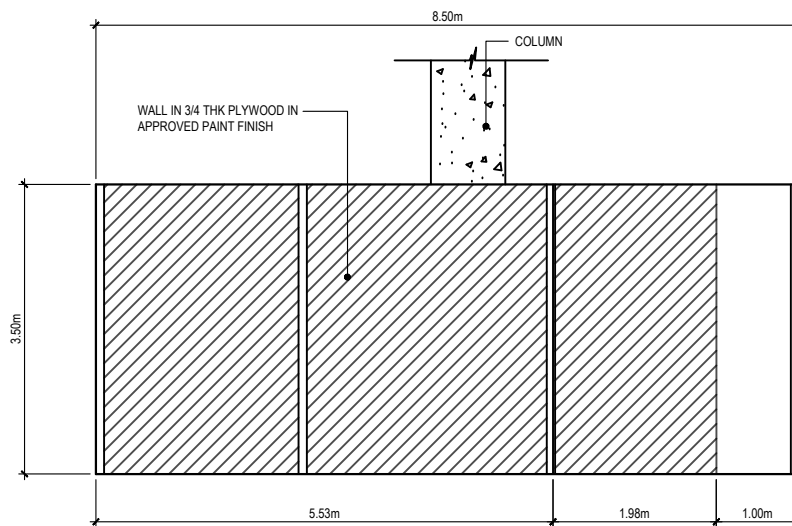


**D** ELEVATION D


 <p>EXHIBITION DESIGN DIVISION</p>	PROJECT:	AMBIENTE 2025
	TITLE:	DESIGN PHILIPPINES
DATE / TIME:	LOCATION:	PAGE:
NOVEMBER 21, 2024	FRANKFURT, GERMANY	04

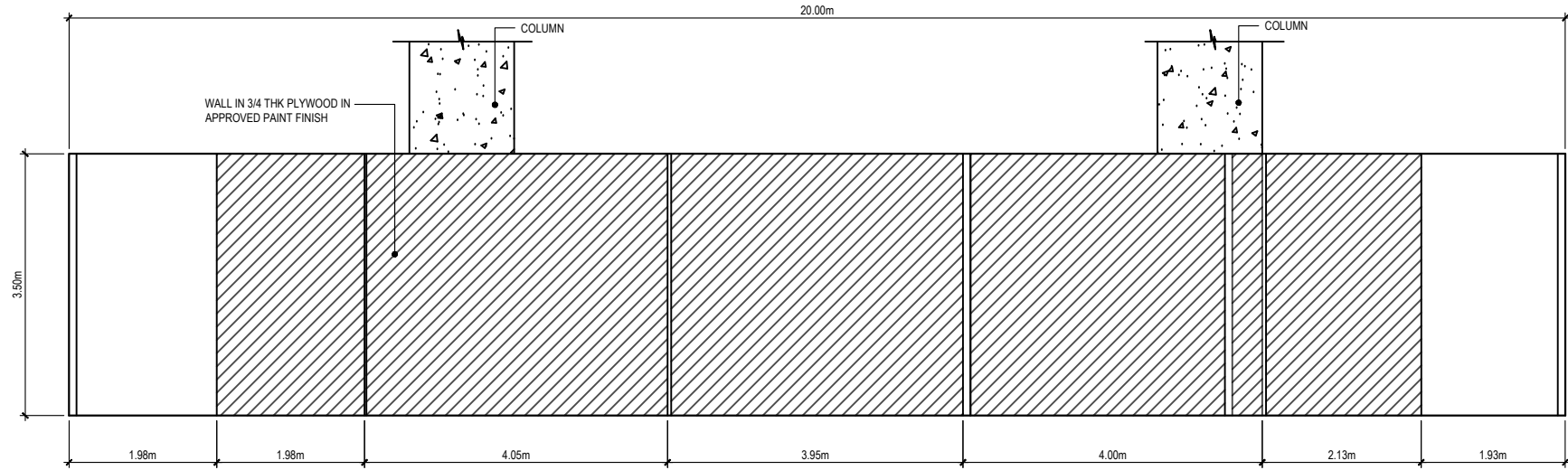


ELEVATION E

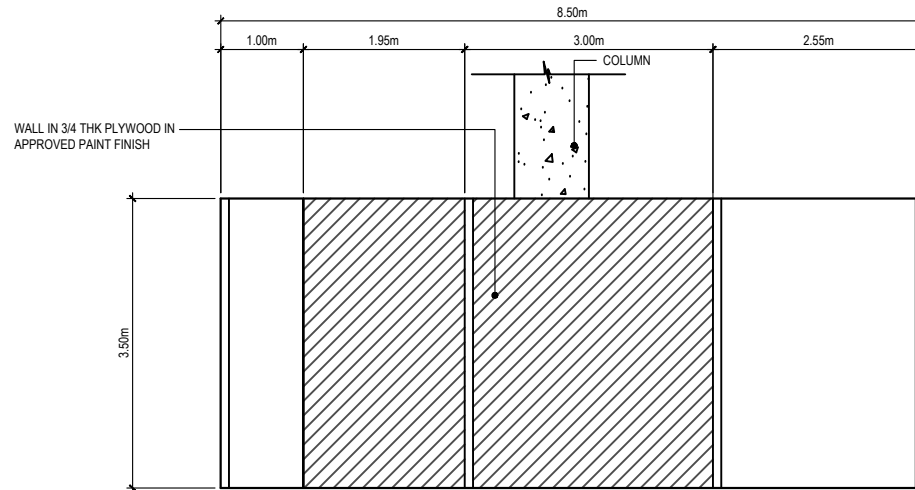


ELEVATION F

 <p>EXHIBITION DESIGN DIVISION</p>	PROJECT: AMBIENTE 2025	
	TITLE: DESIGN PHILIPPINES	
DATE / TIME: NOVEMBER 21, 2024	LOCATION: FRANKFURT, GERMANY	PAGE: 05

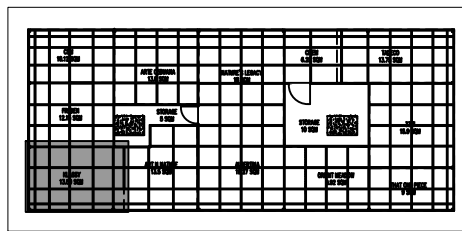


**G** ELEVATION G



**H** ELEVATION H

LOCATION MAP

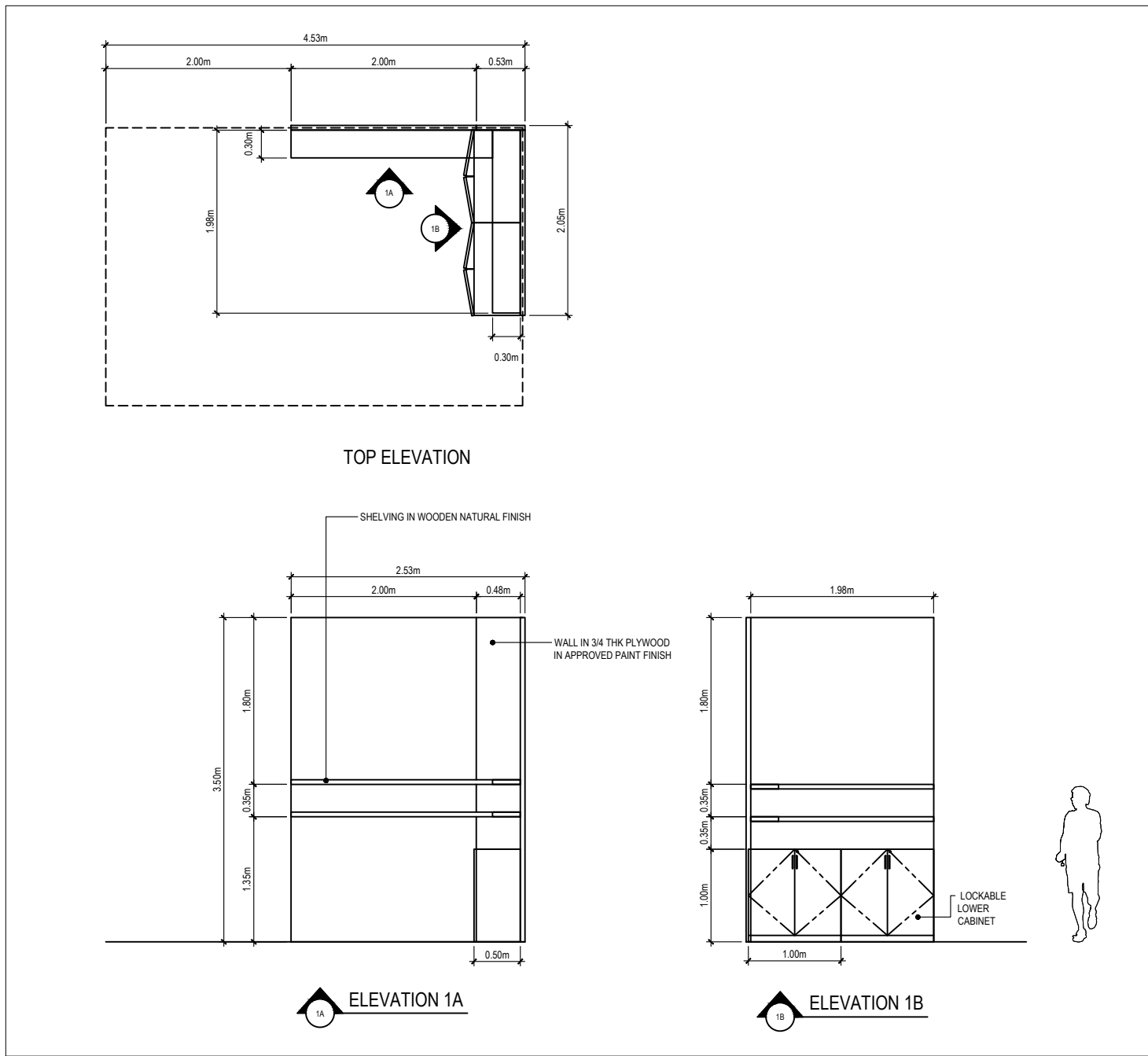


PERSPECTIVE



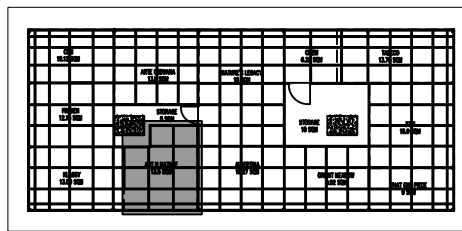
OTHER AMENITIES

- 1 LOT SHELVING
- 1 UNIT LONG TABLE
- 2 UNITS PEDESTAL A
- 1 UNIT NEGOTIATION TABLE (60CM DIAMETER)
- 2 UNITS CHAIRS
- 1 LOT LOCKABLE LOWER CABINET
- 1 UNIT 2 GANG CONVENIENCE OUTLET

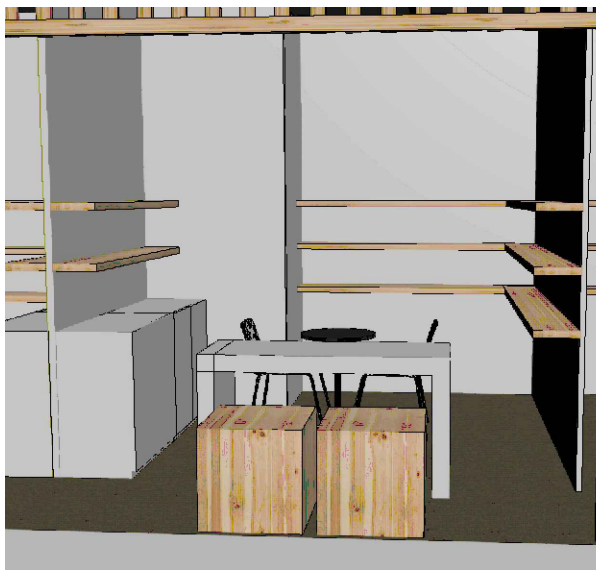


<p>EXHIBITION DESIGN DIVISION</p>	PROJECT:	AMBIENTE 2025
	TITLE:	DESIGN PHILIPPINES
DATE / TIME:	LOCATION:	PAGE:
NOVEMBER 21, 2024	FRANKFURT, GERMANY	07

LOCATION MAP

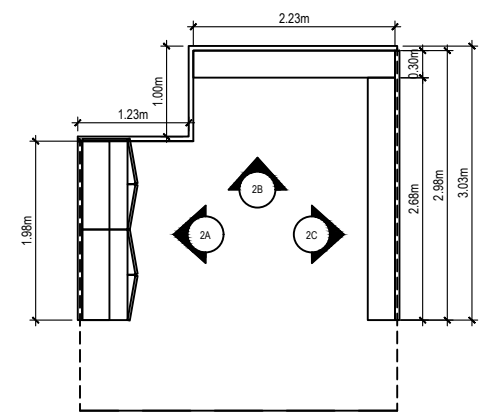


PERSPECTIVE

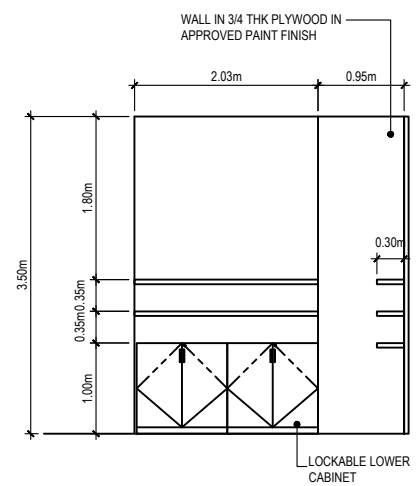


OTHER AMENITIES

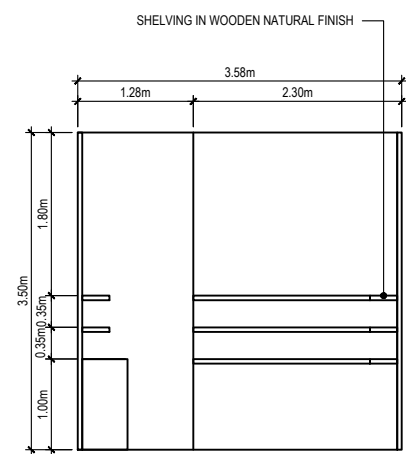
- 1 LOT SHELVING
- 1 UNIT LONG TABLE
- 2 UNITS PEDESTAL A
- 1 UNIT NEGOTIATION TABLE (60CM DIAMETER)
- 2 UNITS CHAIRS
- 1 LOT LOCKABLE LOWER CABINET
- 1 UNIT 2 GANG CONVENIENCE OUTLET



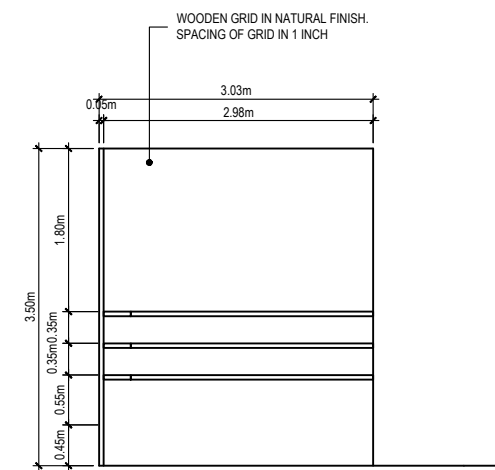
TOP ELEVATION



ELEVATION 2A



ELEVATION 2B

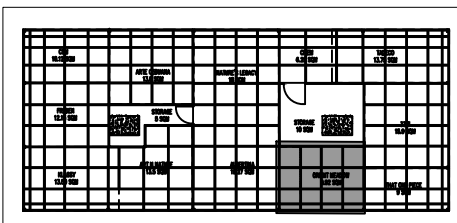


ELEVATION 2C

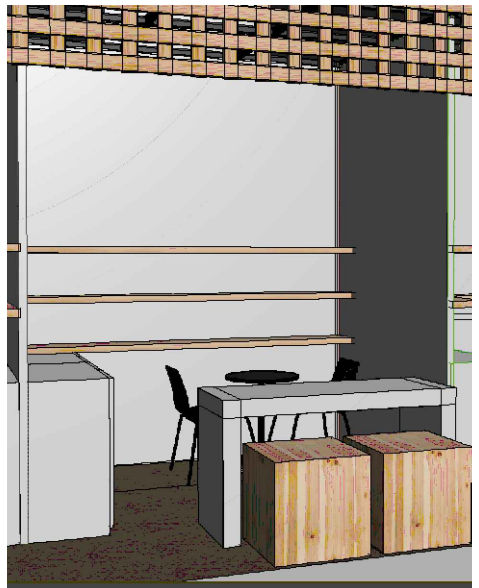
<p>EXHIBITION DESIGN DIVISION</p>	PROJECT:	AMBIENTE 2025
	TITLE:	DESIGN PHILIPPINES
DATE / TIME:	LOCATION:	PAGE:
NOVEMBER 21, 2024	FRANKFURT, GERMANY	08



LOCATION MAP

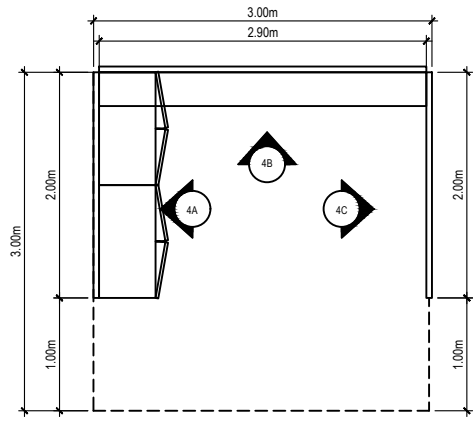


PERSPECTIVE

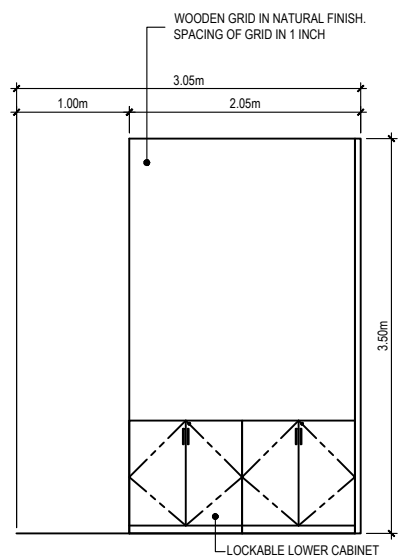


OTHER AMENITIES

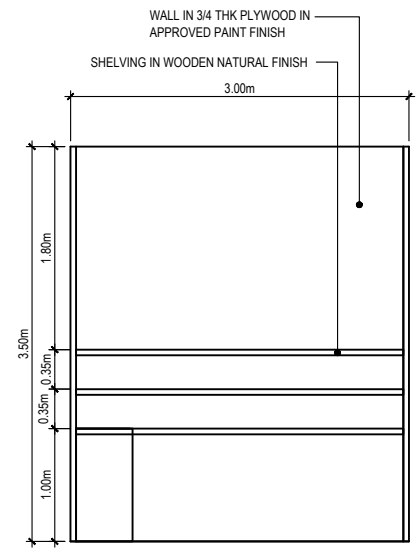
- 1 LOT SHELVING
- 1 UNIT LONG TABLE
- 2 UNITS PEDESTAL A
- 1 UNIT NEGOTIATION TABLE (60CM DIAMETER)
- 2 UNITS CHAIRS
- 1 LOT LOCKABLE LOWER CABINET
- 1 UNIT 2 GANG CONVENIENCE OUTLET



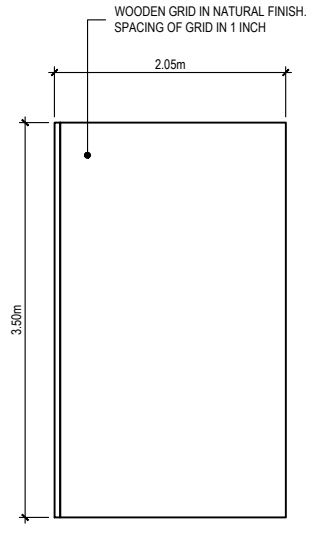
TOP ELEVATION



ELEVATION 4A



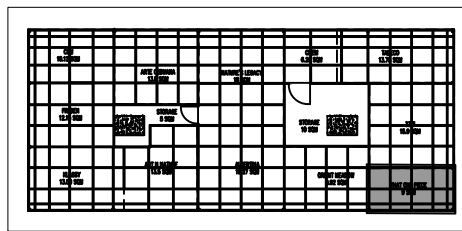
ELEVATION 4B



ELEVATION 4C

<p>EXHIBITION DESIGN DIVISION</p>	PROJECT:	AMBIENTE 2025
	TITLE:	DESIGN PHILIPPINES
DATE / TIME:	LOCATION:	PAGE:
NOVEMBER 21, 2024	FRANKFURT, GERMANY	10

LOCATION MAP

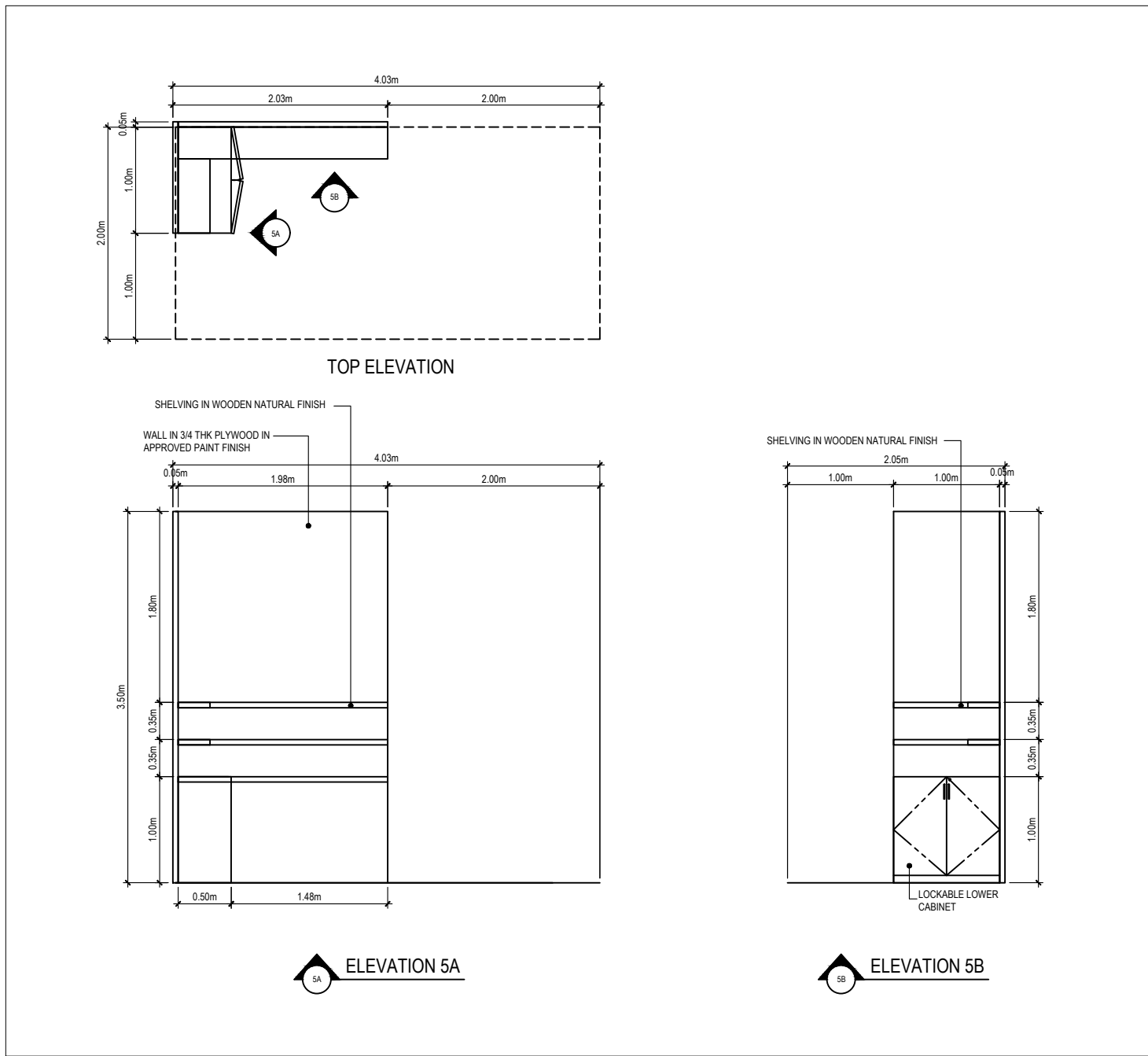


PERSPECTIVE



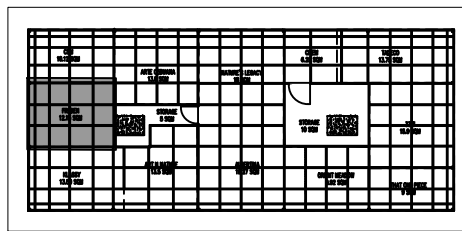
OTHER AMENITIES

- 1 LOT SHELVING
- 1 UNIT LONG TABLE
- 2 UNITS PEDESTAL A
- 1 UNIT NEGOTIATION TABLE (60CM DIAMETER)
- 2 UNITS CHAIRS
- 1 LOT LOCKABLE LOWER CABINET
- 1 UNIT 2 GANG CONVENIENCE OUTLET



<p>EXHIBITION DESIGN DIVISION</p>	PROJECT:	AMBIENTE 2025
	TITLE:	DESIGN PHILIPPINES
DATE / TIME:	LOCATION:	PAGE:
NOVEMBER 21, 2024	FRANKFURT, GERMANY	11

LOCATION MAP

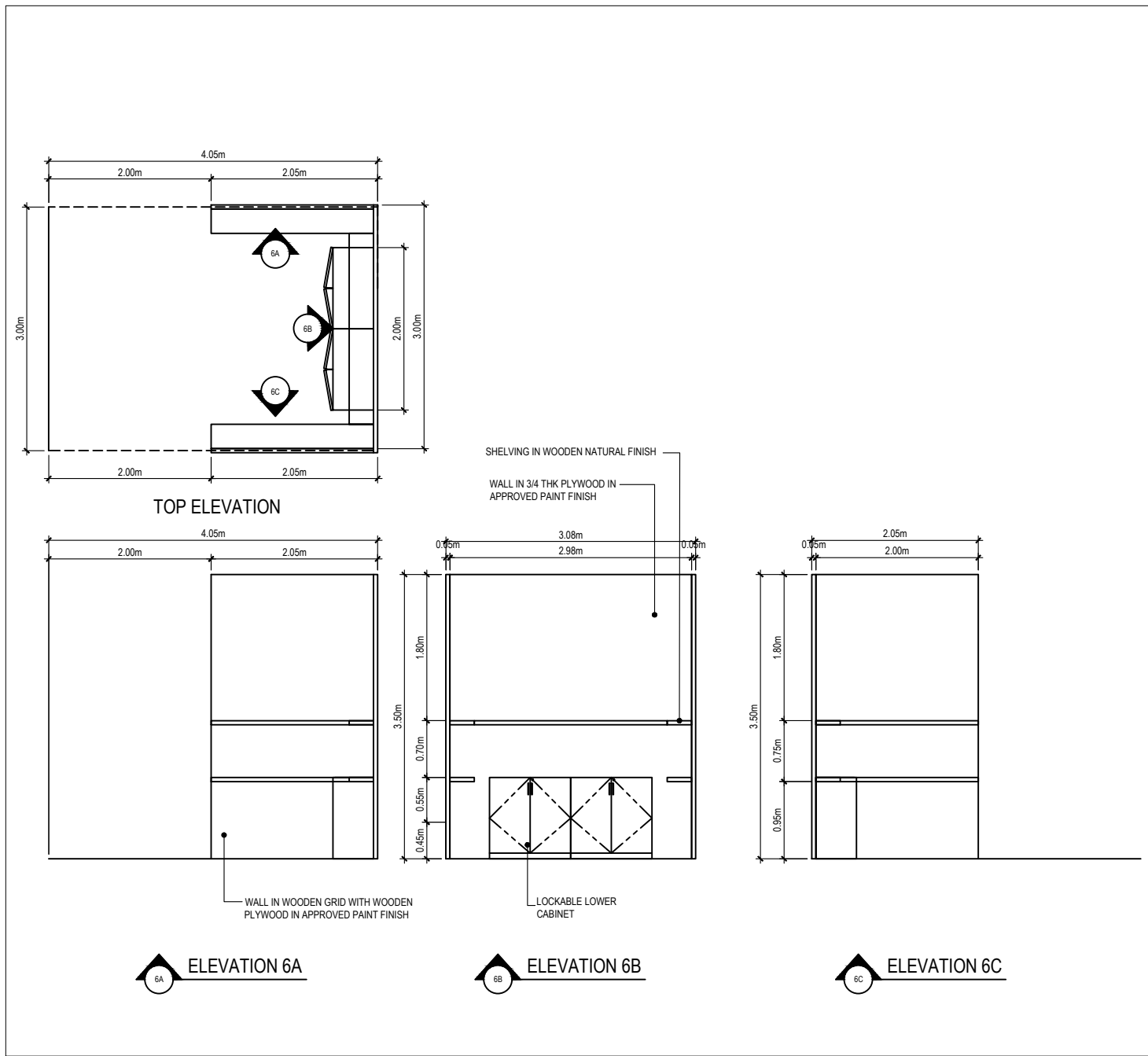


PERSPECTIVE



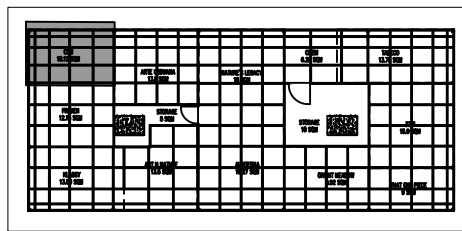
OTHER AMENITIES

- 1 LOT SHELVING
- 1 UNIT LONG TABLE
- 2 UNITS PEDESTAL A
- 1 UNIT NEGOTIATION TABLE (60CM DIAMETER)
- 2 UNITS CHAIRS
- 1 LOT LOCKABLE LOWER CABINET
- 1 UNIT 2 GANG CONVENIENCE OUTLET



<p>EXHIBITION DESIGN DIVISION</p>	PROJECT: AMBIENTE 2025
	TITLE: DESIGN PHILIPPINES
DATE / TIME: NOVEMBER 21, 2024	LOCATION: FRANKFURT, GERMANY
	PAGE: 12

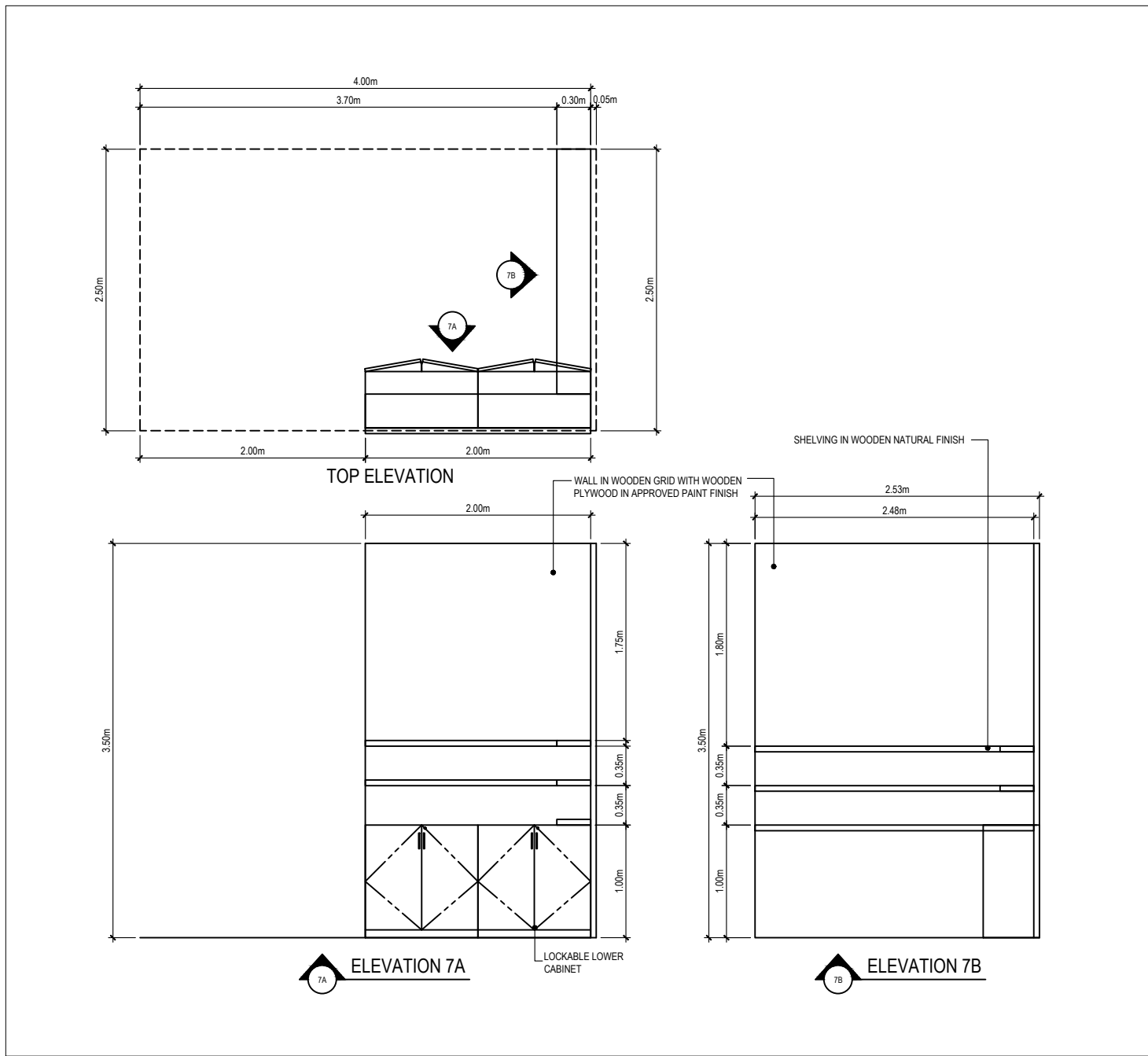
LOCATION MAP



PERSPECTIVE

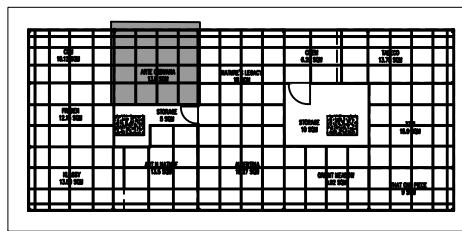


- OTHER AMENITIES**
- 1 LOT SHELVING
  - 1 UNIT LONG TABLE
  - 2 UNITS PEDESTAL A
  - 1 UNIT NEGOTIATION TABLE (60CM DIAMETER)
  - 2 UNITS CHAIRS
  - 1 LOT LOCKABLE LOWER CABINET
  - 1 UNIT 2 GANG CONVENIENCE OUTLET

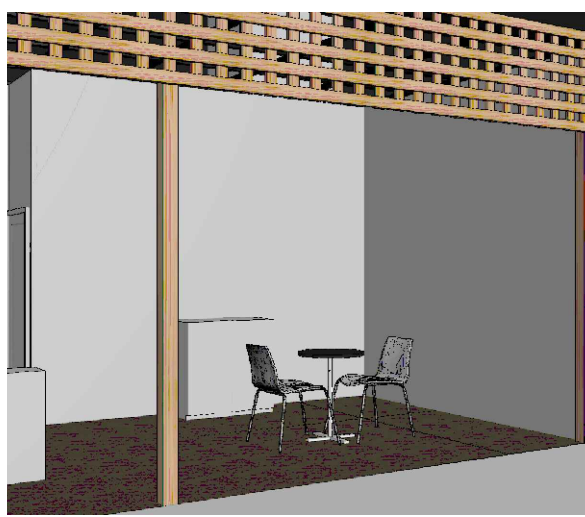


<p>EXHIBITION DESIGN DIVISION</p>	PROJECT: AMBIENTE 2025
	TITLE: DESIGN PHILIPPINES
DATE / TIME: NOVEMBER 21, 2024	LOCATION: FRANKFURT, GERMANY
	PAGE: 13

LOCATION MAP

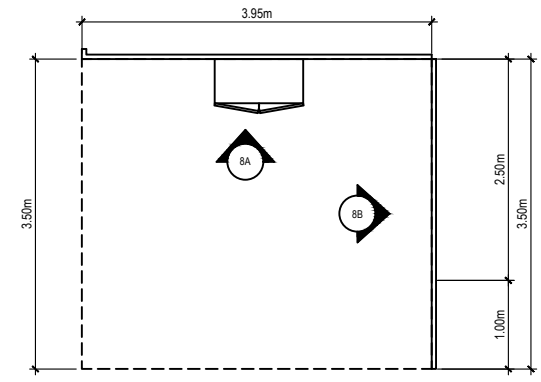


PERSPECTIVE

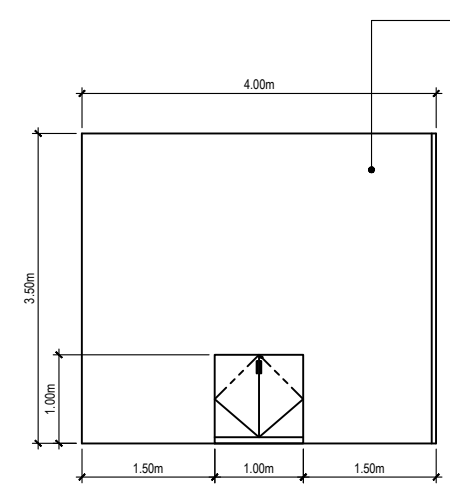


OTHER AMENITIES

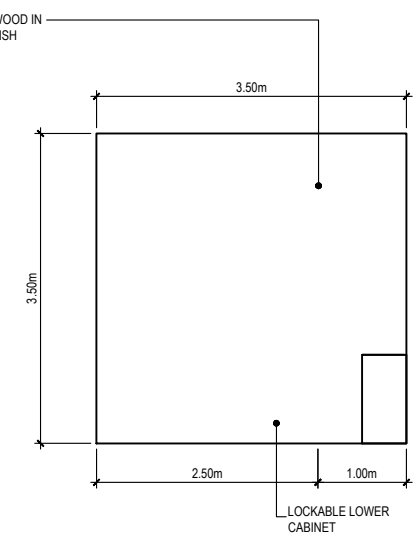
- 1 UNIT NEGOTIATION TABLE (60CM DIAMETER)
- 2 UNITS CHAIRS
- 1 LOT LOCKABLE LOWER CABINET
- 1 UNIT 2 GANG CONVENIENCE OUTLET




TOP ELEVATION



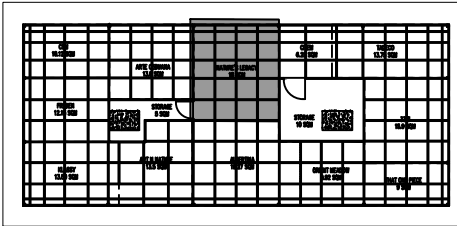
ELEVATION 8A



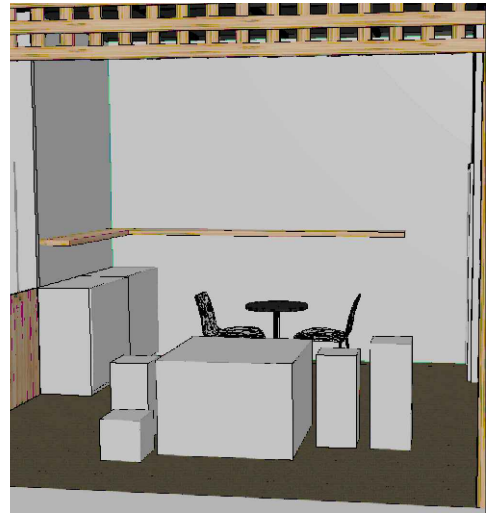
ELEVATION 8B

 EXHIBITION DESIGN DIVISION	PROJECT: AMBIENTE 2025
	TITLE: DESIGN PHILIPPINES
DATE / TIME: NOVEMBER 21, 2024	LOCATION: FRANKFURT, GERMANY
	PAGE: 14

LOCATION MAP

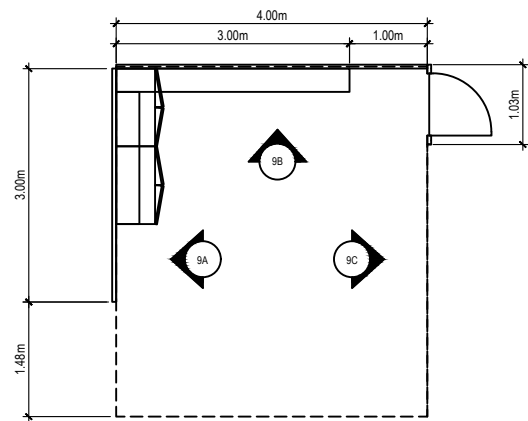


PERSPECTIVE

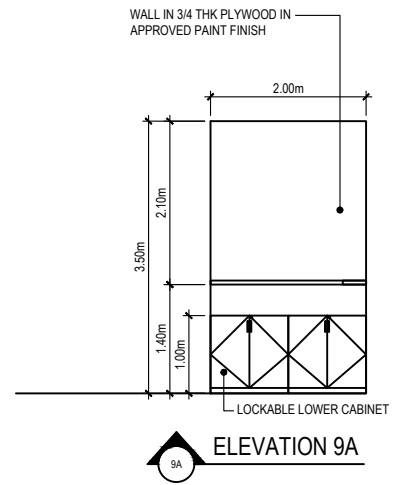


OTHER AMENITIES

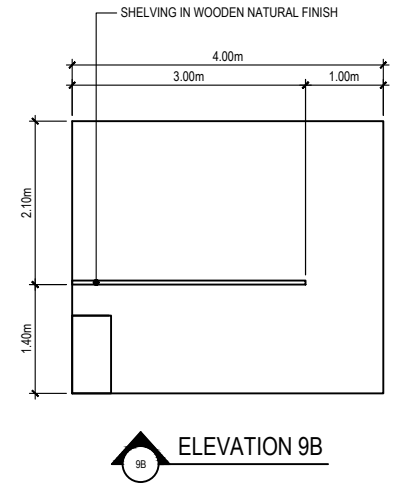
- 1 LOT SHELVING
- 2 UNITS PEDESTAL B
- 2 UNITS PEDESTAL C
- 2 UNITS PEDESTAL D
- 2 UNITS PEDESTAL E
- 1 UNIT PEDESTAL F
- 1 UNIT NEGOTIATION TABLE (60CM DIAMETER)
- 2 UNITS CHAIRS
- 1 LOT LOCKABLE LOWER CABINET
- 1 UNIT 2 GANG CONVENIENCE OUTLET



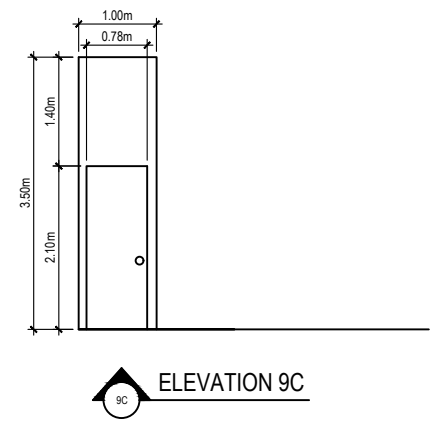
TOP ELEVATION



ELEVATION 9A



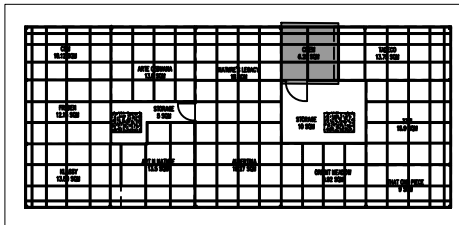
ELEVATION 9B



ELEVATION 9C

<p>EXHIBITION DESIGN DIVISION</p>	PROJECT:	AMBIENTE 2025
	TITLE:	DESIGN PHILIPPINES
DATE / TIME:	LOCATION:	PAGE:
NOVEMBER 21, 2024	FRANKFURT, GERMANY	15

LOCATION MAP

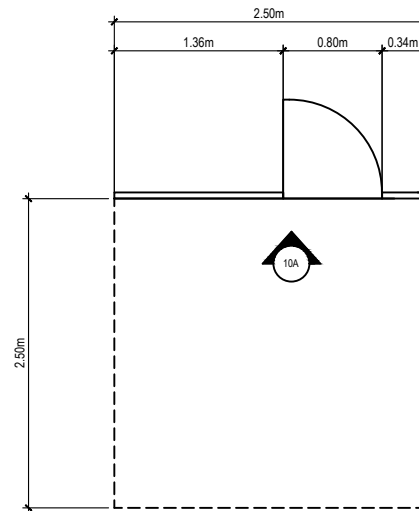


PERSPECTIVE

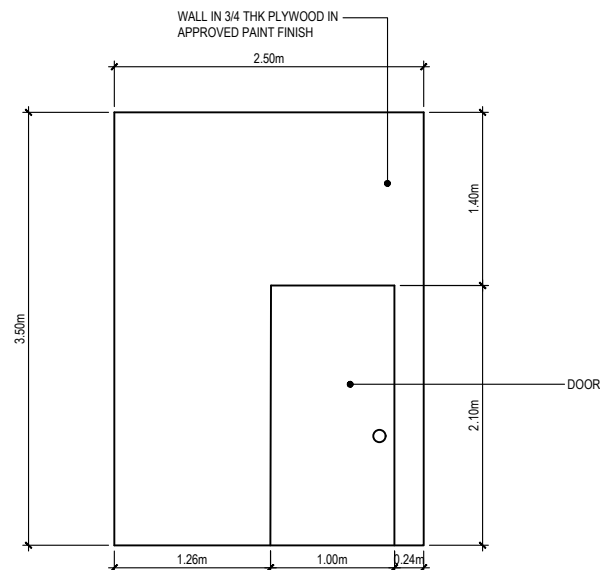


OTHER AMENITIES


- 1 UNIT RECEPTION COUNTER
- 2 UNITS BARSTOOL
- 1 UNIT NEGOTIATION TABLE (60CM DIAMETER)
- 2 UNITS CHAIRS
- 1 LOT LOCKABLE LOWER CABINET
- 1 UNIT 2 GANG CONVENIENCE OUTLET



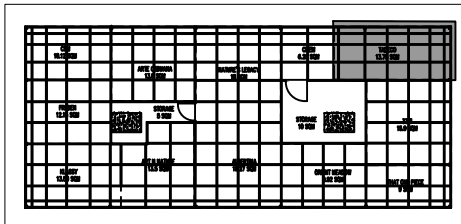
TOP ELEVATION



10A ELEVATION 10A

 <p>EXHIBITION DESIGN DIVISION</p>	PROJECT:	AMBIENTE 2025	
	TITLE:	DESIGN PHILIPPINES	
DATE / TIME:	LOCATION:	PAGE:	
NOVEMBER 21, 2024	FRANKFURT, GERMANY	16	

LOCATION MAP

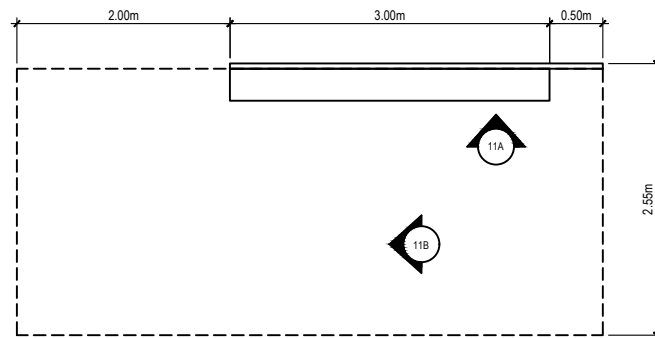


PERSPECTIVE

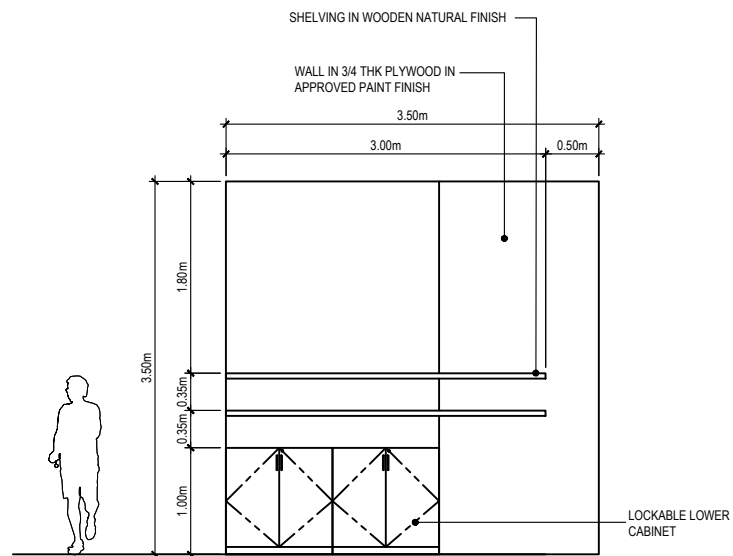


OTHER AMENITIES

- 1 LOT SHELVING
- 1 UNIT LONG TABLE
- 2 UNITS PEDESTAL A
- 1 UNIT NEGOTIATION TABLE (60CM DIAMETER)
- 2 UNITS CHAIRS
- 1 LOT LOCKABLE LOWER CABINET
- 1 UNIT 2 GANG CONVENIENCE OUTLET



TOP ELEVATION



11A ELEVATION 11A

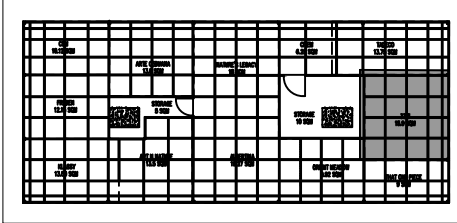


11B ELEVATION 11B

<p>EXHIBITION DESIGN DIVISION</p>	PROJECT:	AMBIENTE 2025
	TITLE:	DESIGN PHILIPPINES
DATE / TIME:	LOCATION:	PAGE:
NOVEMBER 21, 2024	FRANKFURT, GERMANY	17



LOCATION MAP

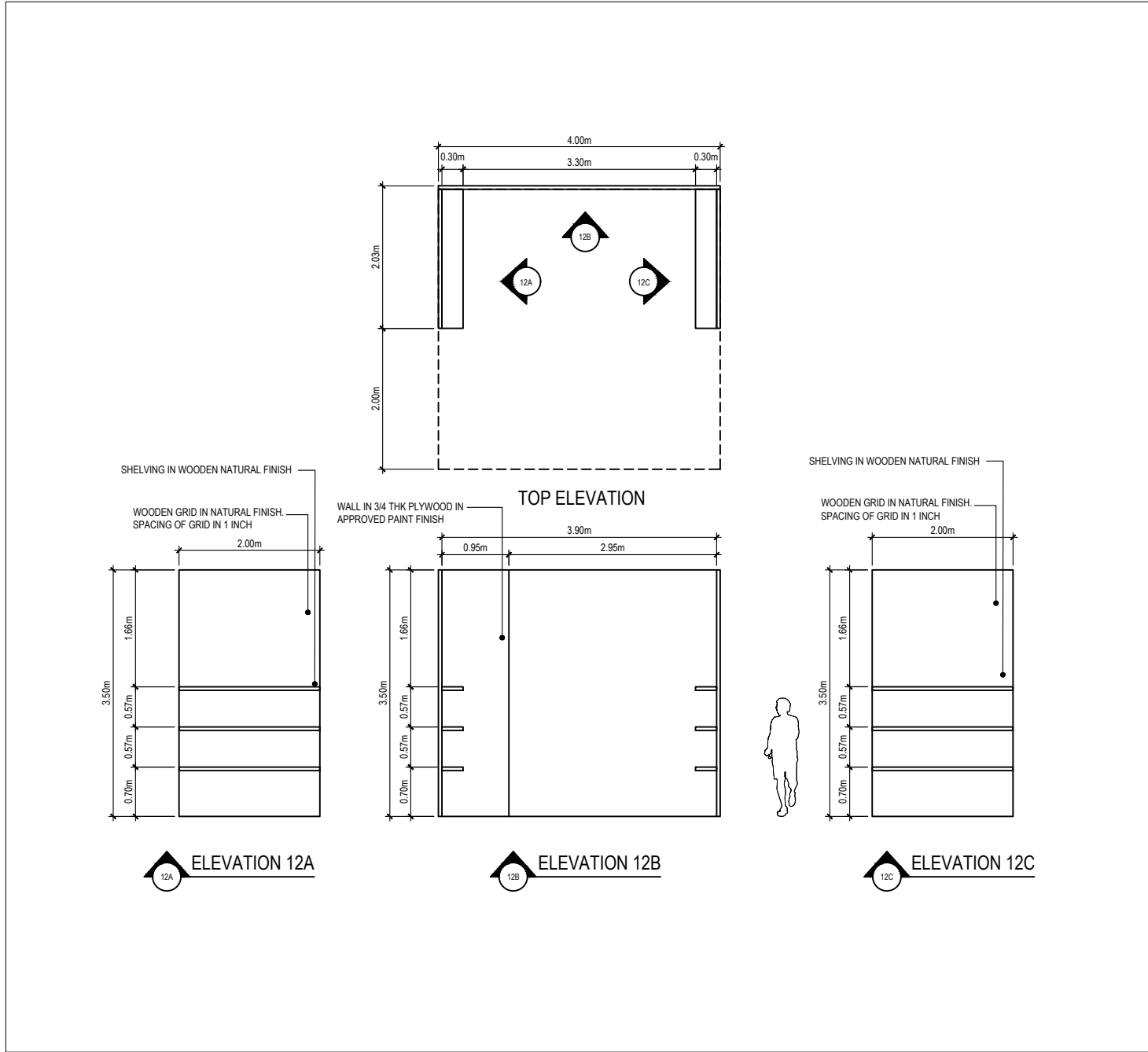


PERSPECTIVE



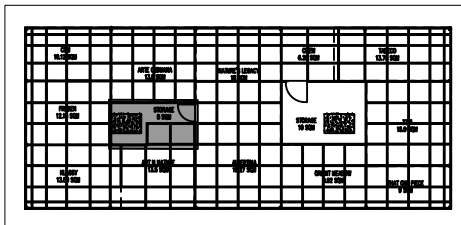
OTHER AMENITIES

- 1 LOT SHELVING
- 1 UNIT LONG TABLE
- 2 UNITS PEDESTAL A
- 1 UNIT NEGOTIATION TABLE (60CM DIAMETER)
- 2 UNITS CHAIRS
- 1 LOT LOCKABLE LOWER CABINET
- 1 UNIT 2 GANG CONVENIENCE OUTLET



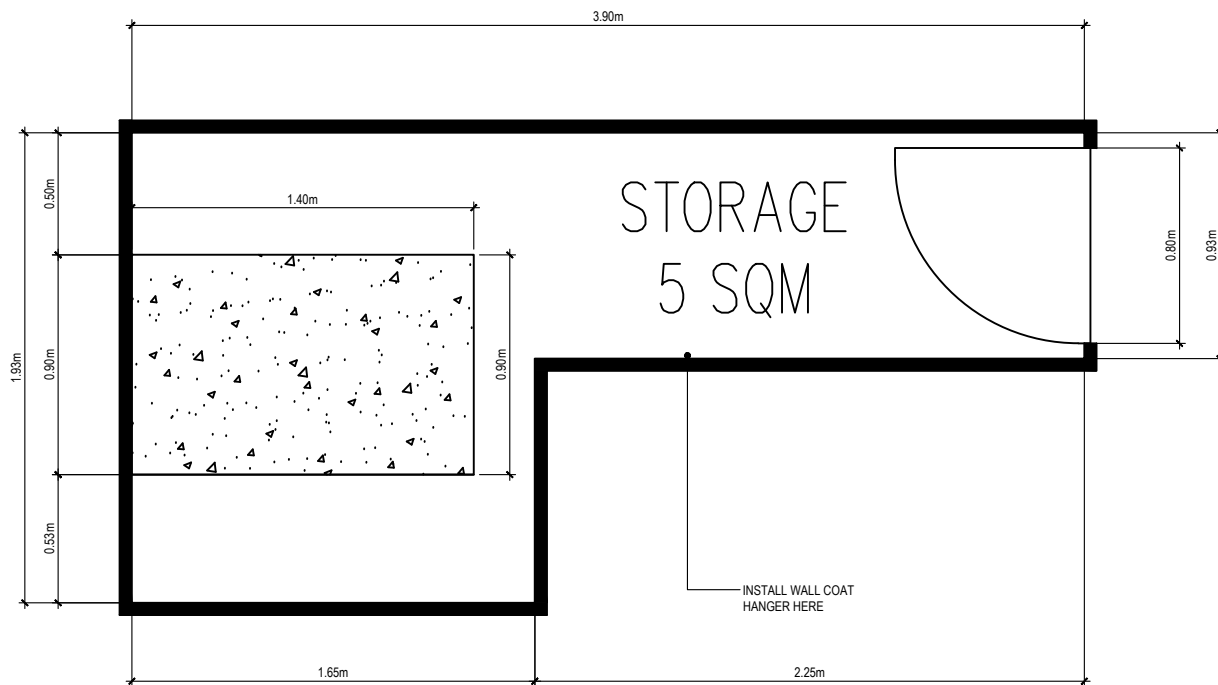
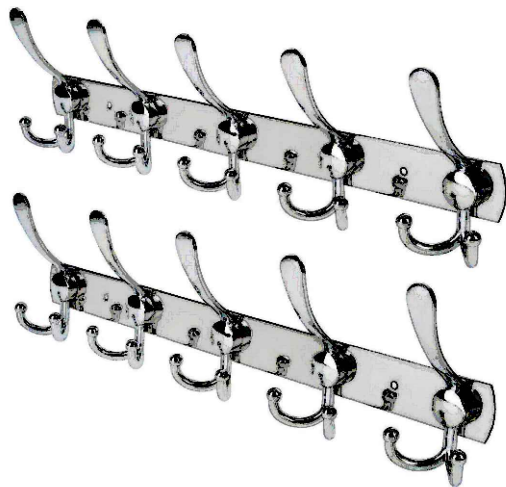
<p>EXHIBITION DESIGN DIVISION</p>	PROJECT:	AMBIENTE 2025	
	TITLE:	DESIGN PHILIPPINES	
DATE / TIME:	LOCATION:	PAGE:	
NOVEMBER 21, 2024	FRANKFURT, GERMANY	18	


LOCATION MAP



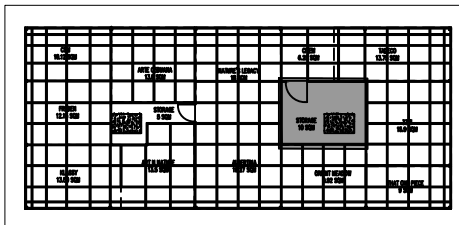
OTHER AMENITIES

- COAT HANGER MINIMUM 10 HOOKS



 <p>EXHIBITION DESIGN DIVISION</p>	PROJECT:	AMBIENTE 2025
	TITLE:	DESIGN PHILIPPINES
DATE / TIME:	LOCATION:	PAGE:
NOVEMBER 21, 2024	FRANKFURT, GERMANY	19

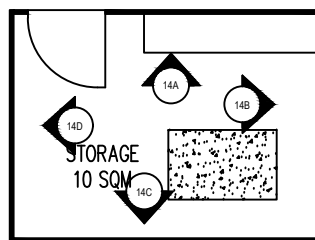
LOCATION MAP



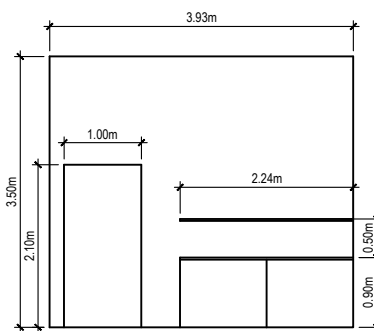
OTHER AMENITIES

- 1 LOT SHELVING
- 30 HOOKS COAT HANGER
- 1 UNIT LONG TABLE
- 2 UNITS CHAIRS
- 3 UNITS 2 GANG CONVENIENCE OUTLET
- 1 UNIT HOT AND COLD WATER DISPENSER
- 5 DAYS SUPPLY OF DRINKING WATER (3 GALLONS PER DAY)
- 1 UNIT COFFEE MACHINE
- COFFEE PODS SUPPLY (100 PCS / EVENT DAY)
- CREAMER (100 PCS / EVENT DAY)
- SUGAR (100 PCS / EVENT DAY)
- TEA (100 PCS / EVENT DAY)
- CUP (1000 PCS)
- STIRRER (500 PCS)

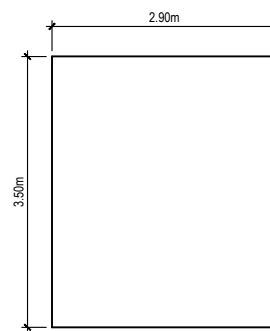
REFER TO CHECKLIST OF ITEMS FOR PHOTO REFERENCE



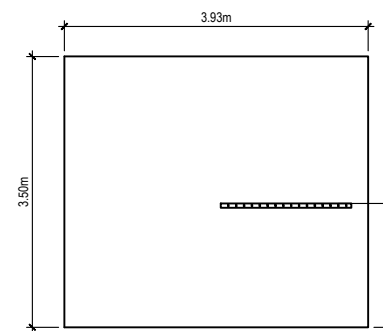
TOP ELEVATION



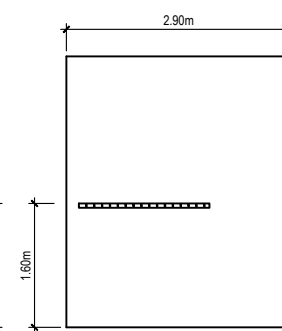
ELEVATION 14A



ELEVATION 14B



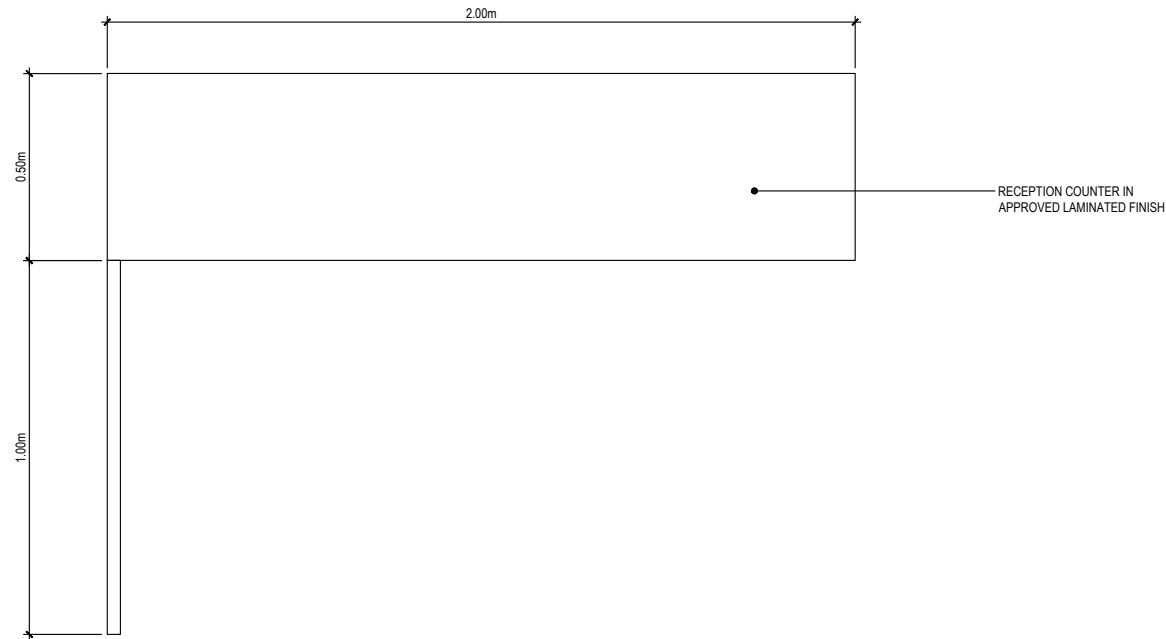
ELEVATION 14C



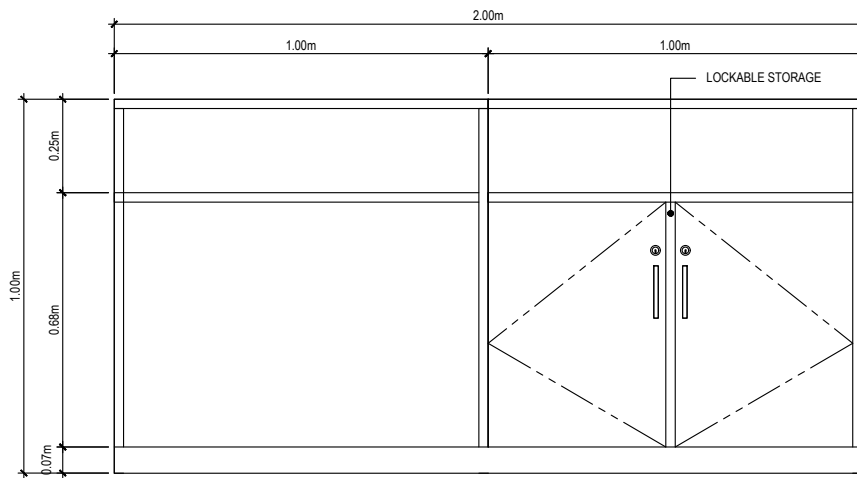
ELEVATION 14D

<p>EXHIBITION DESIGN DIVISION</p>	PROJECT:	AMBIENTE 2025
	TITLE:	DESIGN PHILIPPINES
DATE / TIME:	LOCATION:	PAGE:
NOVEMBER 21, 2024	FRANKFURT, GERMANY	20

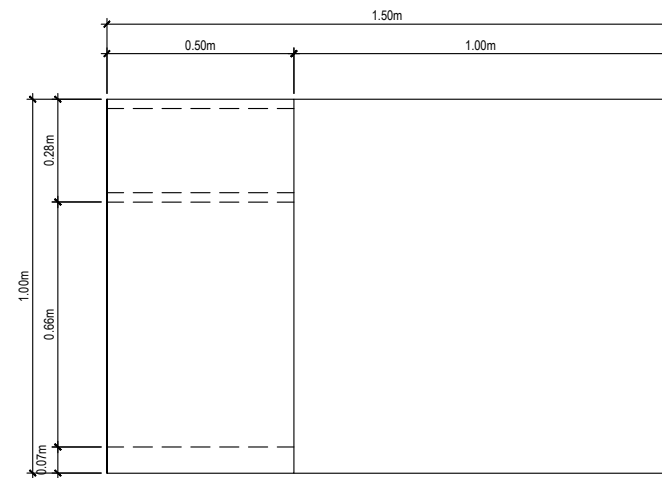
AMBIENTE 2025  
 RECEPTION COUNTER – COLLECTIVE SHOWCASE  
 DETAILS




TOP ELEVATION

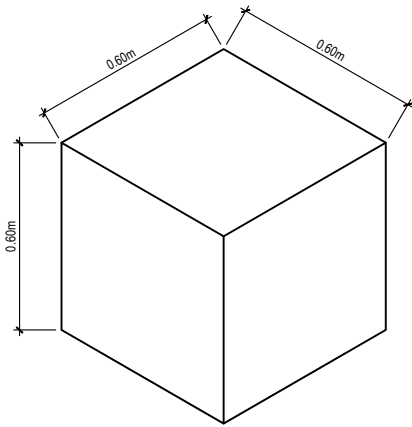


FRONT ELEVATION

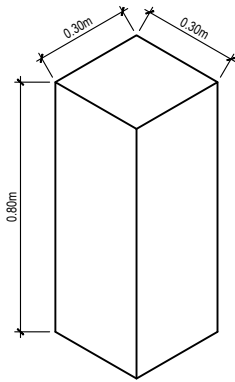


SIDE ELEVATION

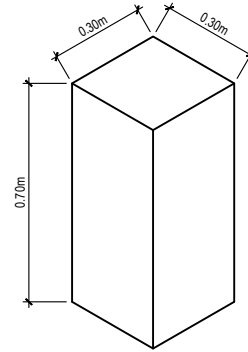
 EXHIBITION DESIGN DIVISION	PROJECT: AMBIENTE 2025	
	TITLE: DESIGN PHILIPPINES	
DATE / TIME: NOVEMBER 21, 2024	LOCATION: FRANKFURT, GERMANY	PAGE: 21



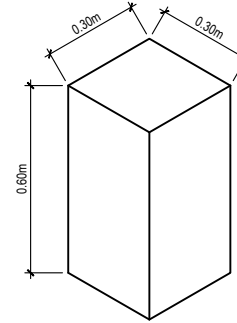
PEDESTAL A  
IN APPROVED WOOD  
LAMINATED FINISH



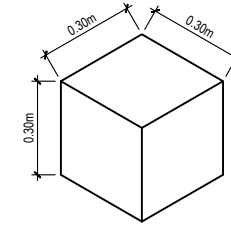
PEDESTAL B  
IN APPROVED PAINT FINISH



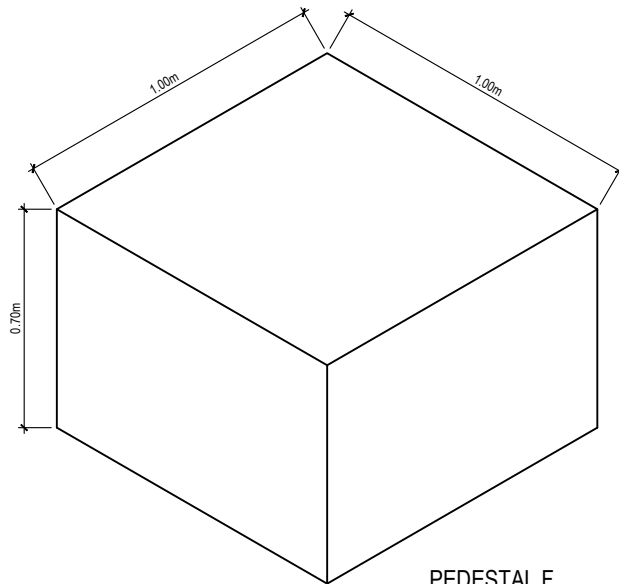
PEDESTAL C  
IN APPROVED PAINT FINISH



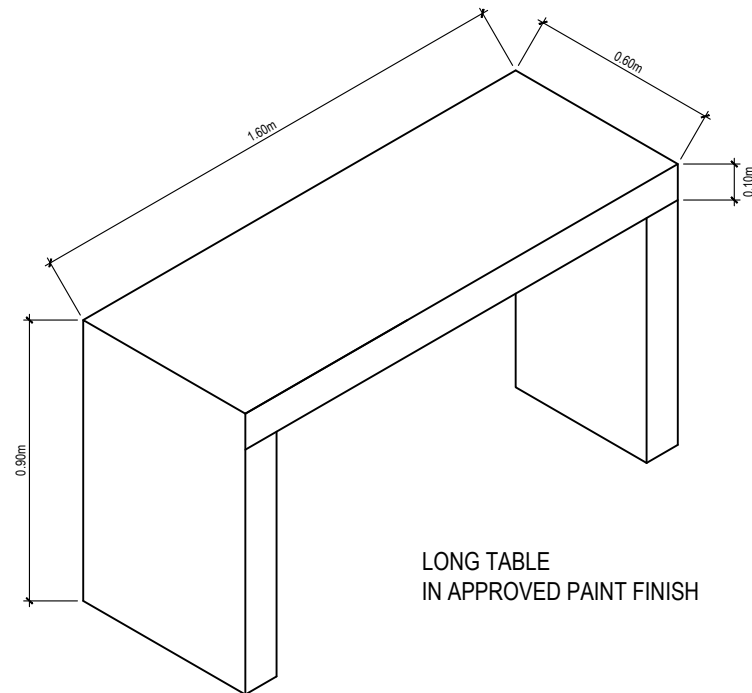
PEDESTAL D  
IN APPROVED PAINT FINISH



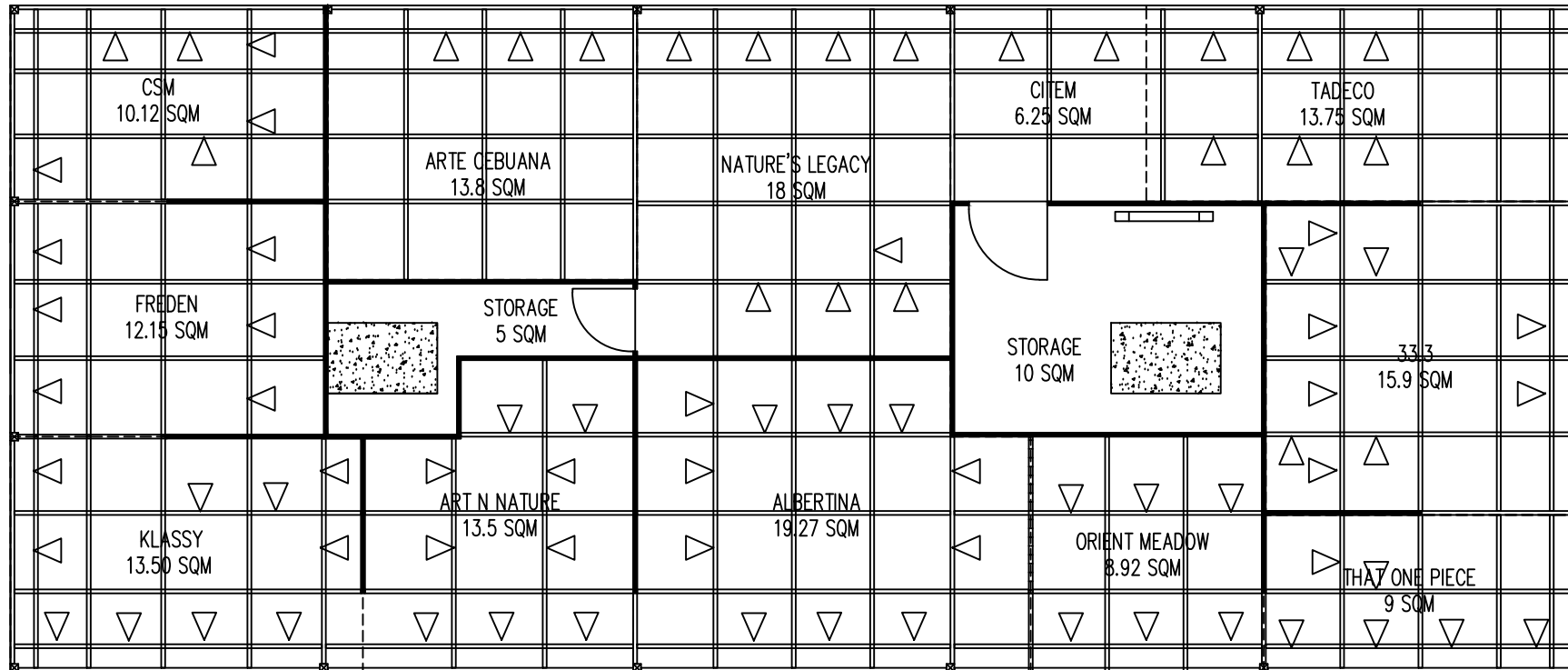
PEDESTAL E  
IN APPROVED PAINT FINISH



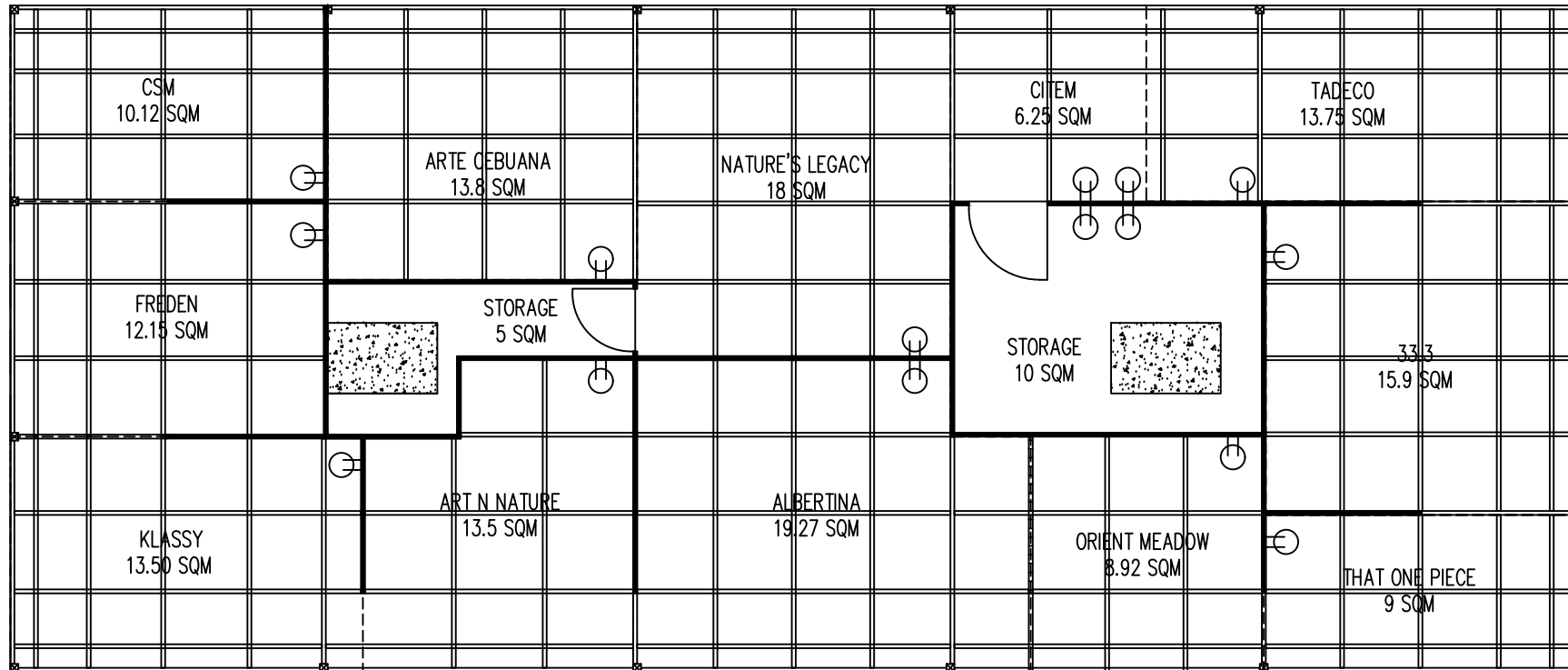
PEDESTAL F  
IN APPROVED PAINT FINISH



LONG TABLE  
IN APPROVED PAINT FINISH



- △ 86 UNITS  
WARM WHITE IN WHITE CASING  
SPOTLIGHT – 20 WATTS
- ▽ 1 UNIT FLUORESCENT LIGHT  
10 WATTS  
STORAGE LIGHTING



 15 UNITS – 2 GANG UNIVERSAL CONVENIENCE OUTLET

PLOTTING OF PRODUCTS THAT REQUIRES ELECTRICAL SHALL BE DONE ONSITE. ALL ELECTRICAL TAPPING OF THE PRODUCTS SHOULD BE SERVICED BY THE CONTRACTOR.'

LIST OF PRODUCTS WITH WATTAGE AND ITS LOCATION SHALL BE FORWARDED TO THE CONTRACTOR

# ambiente

**AREA 2 | HALL 10.4 A49,B47**  
DESIGN PHILIPPINES - PARTNER PROVINCE





	Legende	Legend	Légende
	Information	Information	Information
	Toilette Toilet	Toilet, Ladies	Toilettes Toilet
	Toilette Toilet	Toilet gentlemen	Toilettes Toilet
	Elektron- installateur	Electrician	Electricien
	Massen- installateur	Plumber	Plombier
	Massen- entnahme	Metal tab	Pièce d'essai
	Liftserviceaufzug	Service Lift	Monte-charge
	Hallinspektor	Hall Inspector	Inspecteur du hall
	Telefon	Telephone	Telephone
	Alarmier- einrichtung	Event alarm	Alarmier d'événement
	Feuerlöscher	Fire extinguisher	Extincteur
	Metal box	Metal box	Metal box
	Hallstütze	Hall support	Pilier du hall

Aufgaben- nummer	Tragkraft, kN	Substratgröße, m	Stange Ø * L * H
L111 Index	Loadbearing capacity 100	Chair depth 60	Ø 40 * 60
Index	Index	Index	Index
Index	Index	Index	Index
A.100	10	2,70	3,70 * 2,05
A.100	10	2,70	3,70 * 2,05
A.100	10	4,10	3,70 * 2,05
A.100	10	5,10	3,70 * 2,05
A.100	10	2,70	3,70 * 2,05
A.100	10	2,70	3,70 * 2,05
A.100	10	4,10	3,70 * 2,05

Bezeichnung	Index	Index	Index
Index	Index	Index	Index
Index	Index	Index	Index
Index	Index	Index	Index
Index	Index	Index	Index

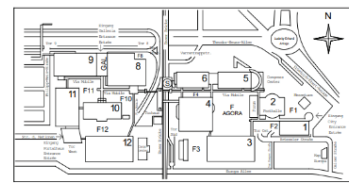


Die Messe Frankfurt 08/10 übernimmt keine Gewähr für die Richtigkeit der Maße.  
 All the figures and data are for OR only.  
 Messe Frankfurt 08/10 accepts no liability for the accuracy of the dimensions.  
 All data and dimensions must be checked on site.  
 Messe Frankfurt 08/10 decline toute responsabilité quant à l'exactitude des dimensions.  
 Toutes les données et dimensions sont à vérifier sur place.

Zur Beachtung beim Standbau !  
 Die mit dieser Linie — gekennzeichneten Trennwände zum Nachbarstand werden nicht aufgestellt. Anstelle dieser Wände wird die Standgrenze auf dem Hallenboden markiert.  
 Technische Daten der Standwände:  
 Höhe : 250 cm  
 Stärke : 5 cm  
 Konstruktion: wackelstabil, beidseitig mit Hartfaserplatten verkleidet, kunststoffbeschichtet, einreihig einbaufähig.  
 Die Wände dürfen weder tapeziert noch gestrichelt werden.  
 Die Breite der Standwände ist von Wandkante zu Wandkante gemessen. Um die Linie M10 eines Nachbarstandes zu erhalten, sind Sie von der Standbreite abzutragen.

Points to note for stand construction !  
 The partition walls signalled with a thin line — will not be erected. Instead of these walls, the stand border will be marked on the floor of the exhibition hall.  
 Technical data of stand walls :  
 Height : 250 cm  
 Thickness : 5 cm  
 Construction: wobble frame fixed on both sides with plastic-coated panels, one-row installable.  
 The stand walls must neither be decorated nor painted.  
 The width of stands in rows has been measured from side centre to side centre. In order to calculate the clear dimensions of stand in a row, 5 cm are to be deducted from the stand width.

A observer lors de la mise en place des stands !  
 Les cloisons signalées sur les plans ne doivent pas être posées. Le limite de l'emplacement de stand est signalée par la ligne au sol ou les lignes d'axe des cloisons.  
 Données techniques des parois de stand :  
 Hauteur : 250 cm  
 Épaisseur : 5 cm  
 Construction: cadre de bois, revêtu de deux côtés de panneaux rigides de matière plastique en couleur d'impression.  
 Les parois ne doivent être ni tapées ni peintées. La largeur des stands en rangée est mesurée de milieu de la paroi à milieu de la paroi.  
 Pour obtenir la dimension intérieure d'un stand en rangée, il faut déduire 5 cm de la largeur de stand.



ambiente

07.02.-11.02.2025

Halle 10 Ebene 4

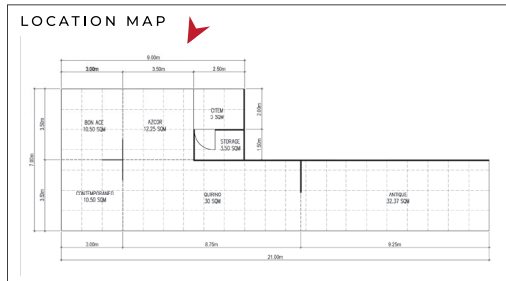
messe frankfurt

Einzel- und Urheberrechte der Messe Frankfurt 08/10 einschließlich des Rechts der Veranstaltung und Weitergabe vorbehalten bei der Messe Frankfurt 08/10.



# ambiente

PARTNER PROVINCE



BUILT-UP CUT-OUT SIGNAGE WITH BACKLIT

WOODEN LAMINATED OVERHEAD

GRID FOR HANGING ITEMS



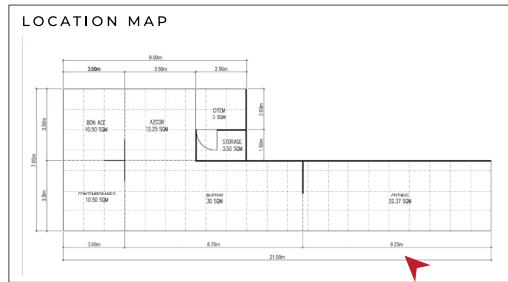
WRITE-UP

CITEM AREA

BEIGE NEEDLE PUNCH CARPET

# ambiente

PARTNER PROVINCE



WOODEN LAMINATED OVERHEAD

BUILT-UP CUT-OUT SIGNAGE WITH BACKLIT

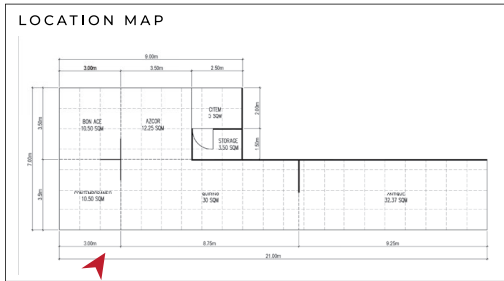


DISPLAY AREA

BEIGE NEEDLE PUNCH CARPET

# ambiente

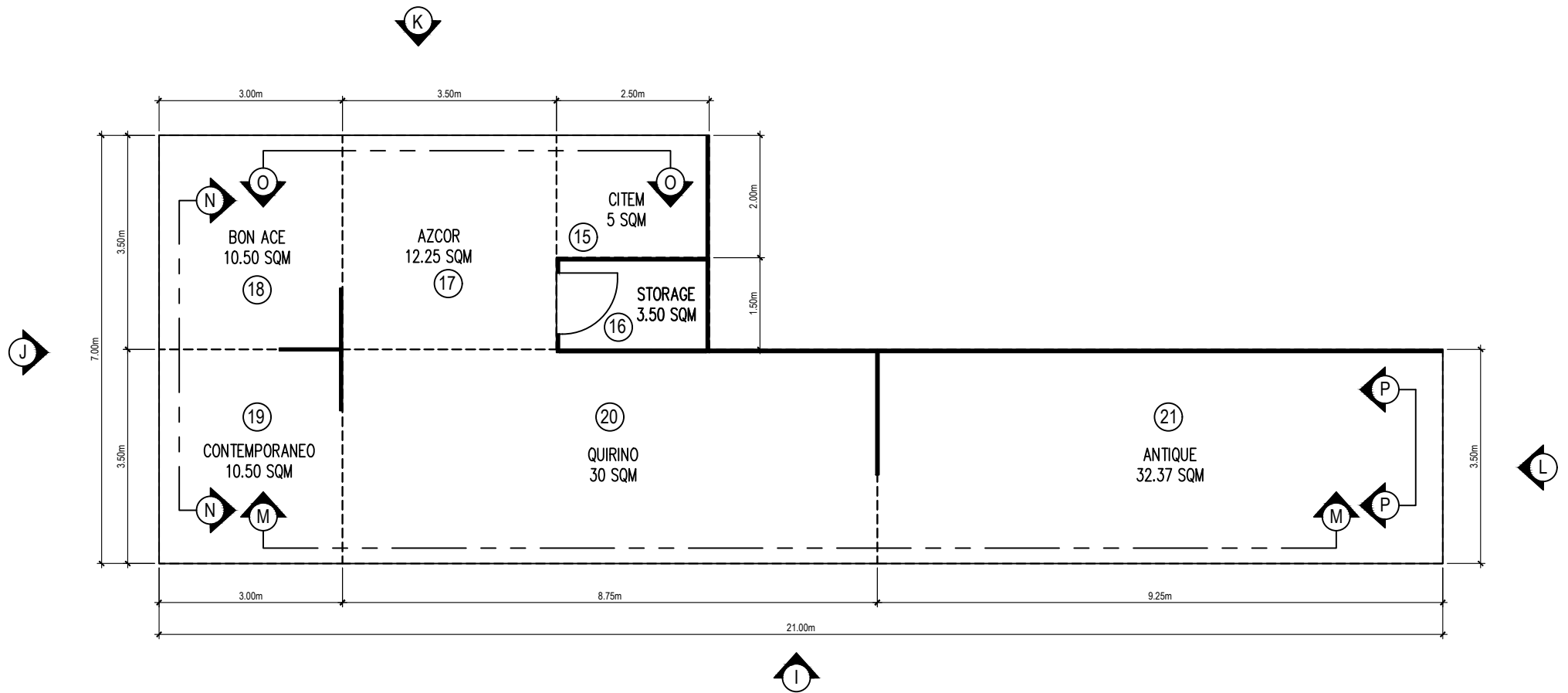
PARTNER PROVINCE




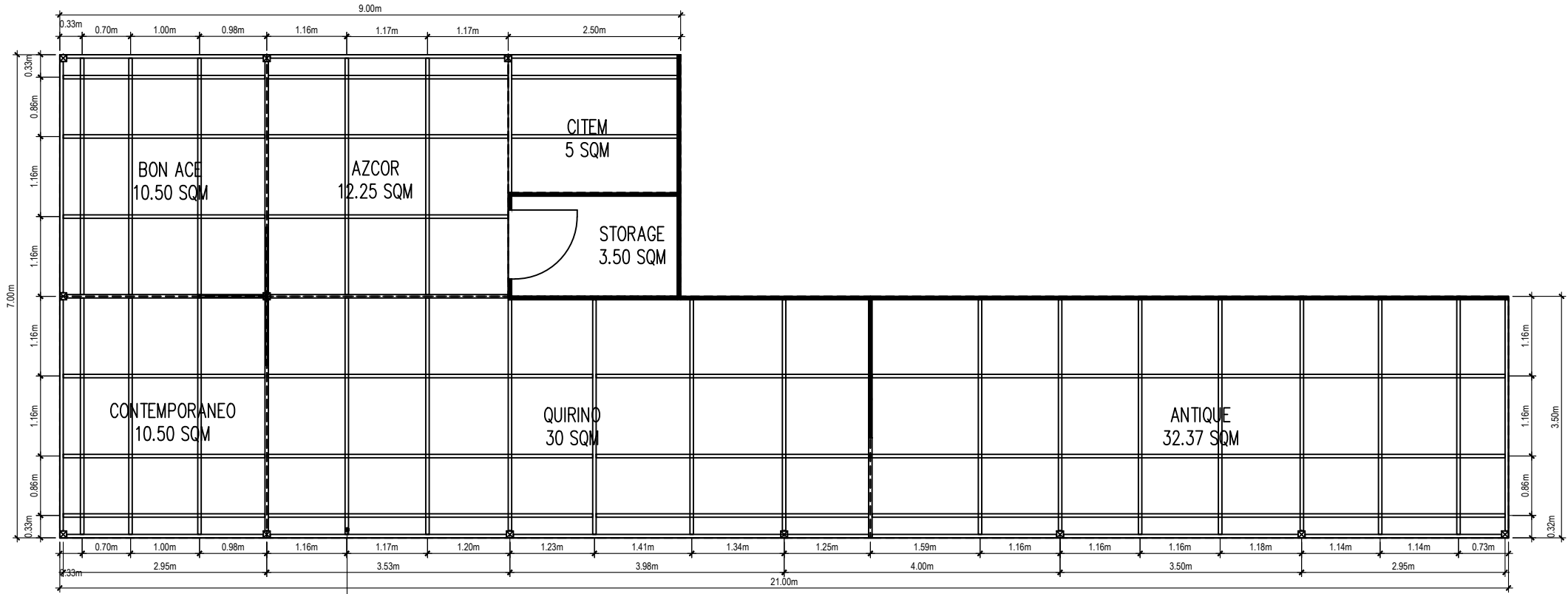
DISPLAY AREA

---





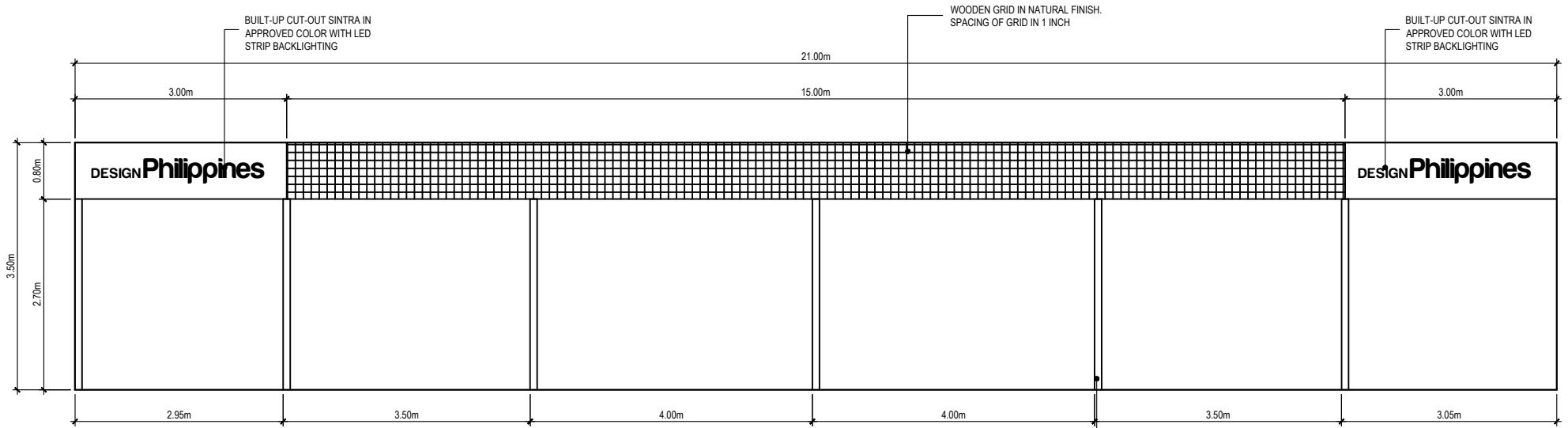
 <b>EXHIBITION DESIGN DIVISION</b>	PROJECT:	AMBIENTE 2025	
	TITLE:	DESIGN PHILIPPINES	
DATE / TIME:	LOCATION:	PAGE:	
NOVEMBER 21, 2024	FRANKFURT, GERMANY	25	



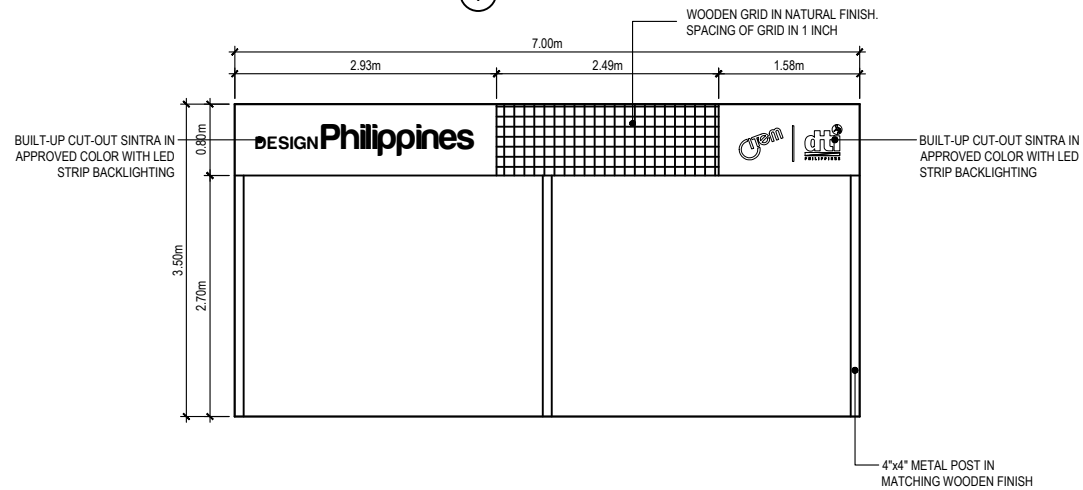
2"x3" SQUARE TUBULAR METAL IN APPROVED PAINT FINISH  
LONG GRID OVER SHORT GRID

\*Note: Ensure rigidity and stability of grid for hanging items


AMBIENTE 2025  
ELEVATION



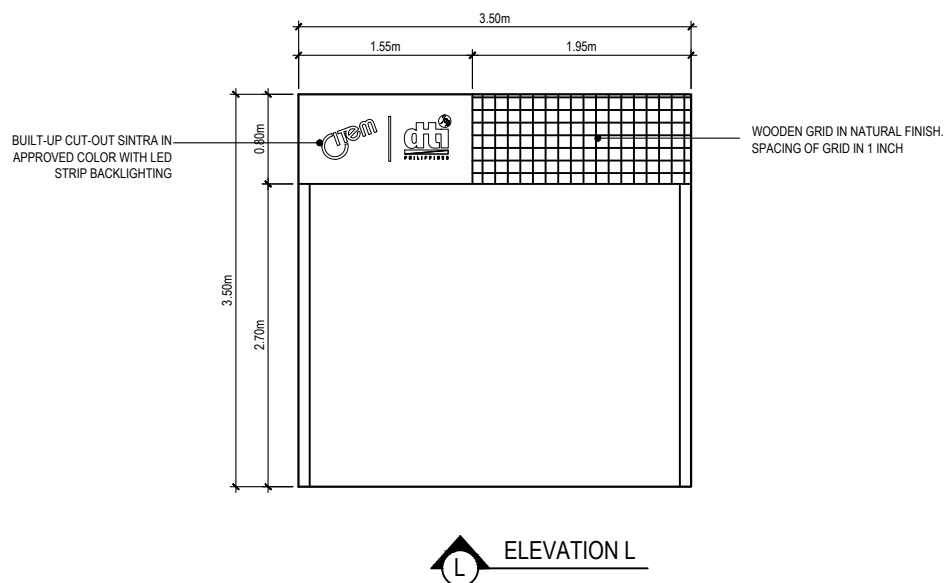
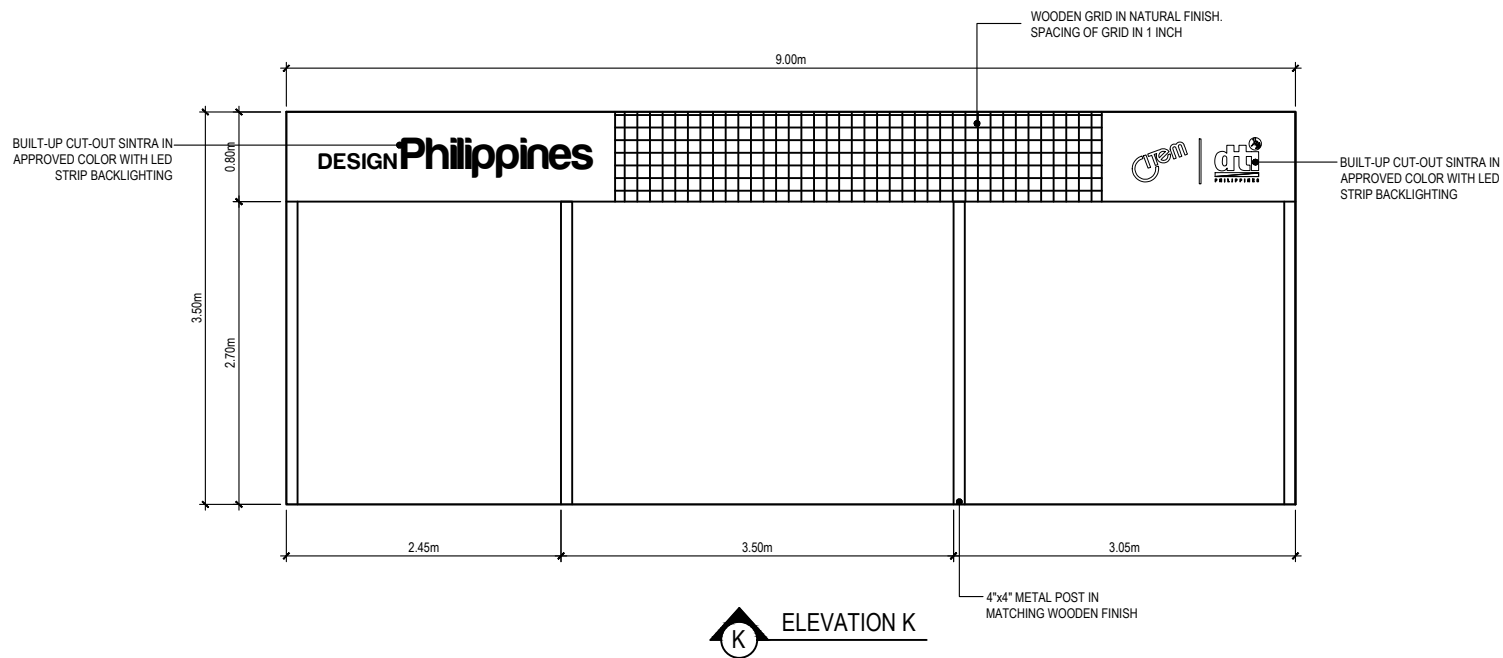
ELEVATION I



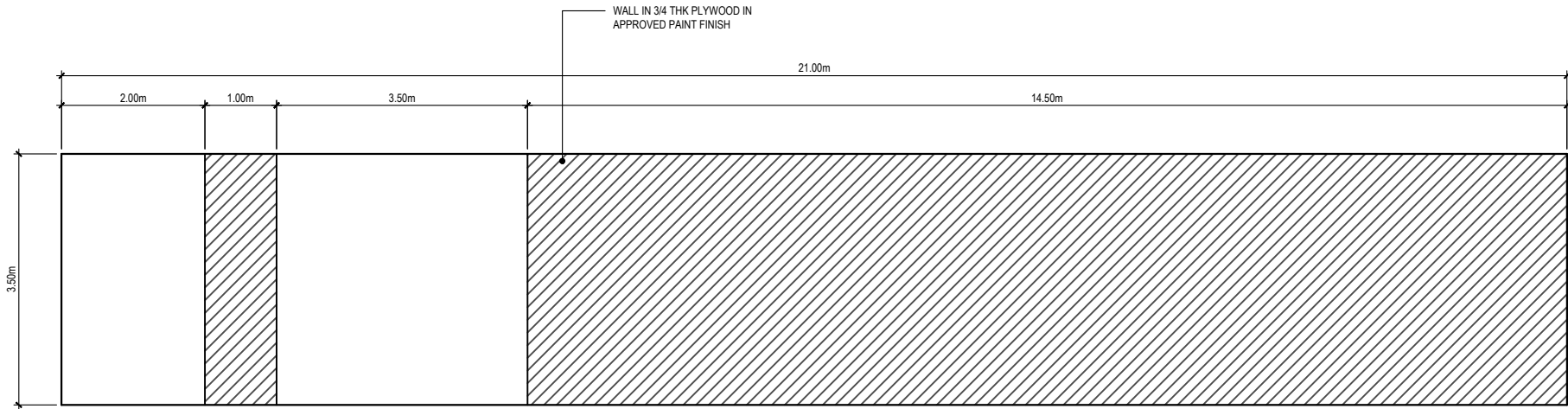
ELEVATION J

 <p>EXHIBITION DESIGN DIVISION</p>	PROJECT:	AMBIENTE 2025
	TITLE:	DESIGN PHILIPPINES
DATE / TIME:	LOCATION:	PAGE:
NOVEMBER 21, 2024	FRANKFURT, GERMANY	27

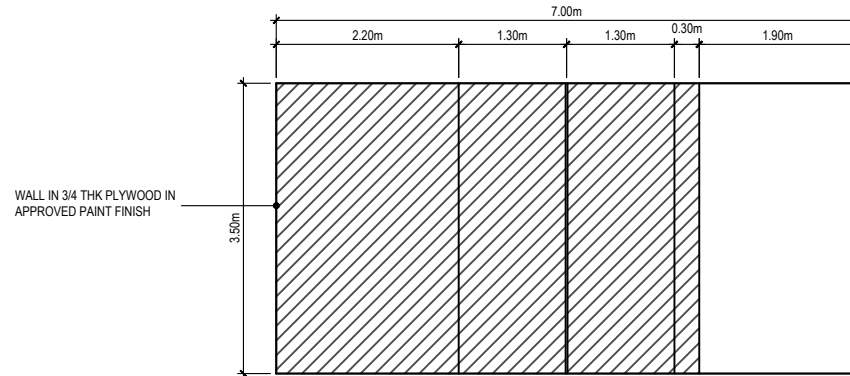





	PROJECT:	AMBIENTE 2025	
	TITLE:	DESIGN PHILIPPINES	
DATE / TIME:	LOCATION:	PAGE:	
NOVEMBER 21, 2024	FRANKFURT, GERMANY	28	



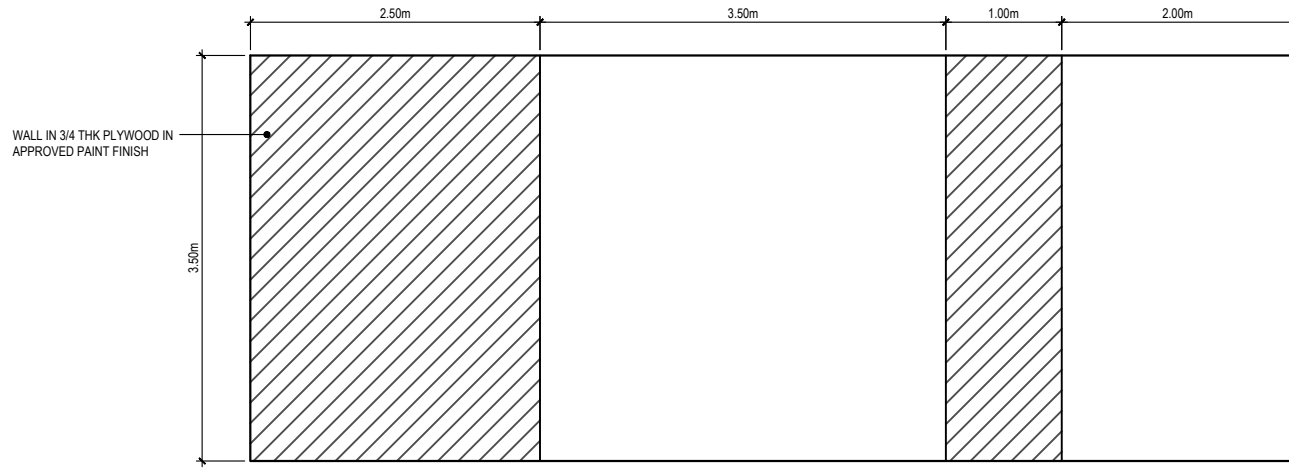
**M** ELEVATION M



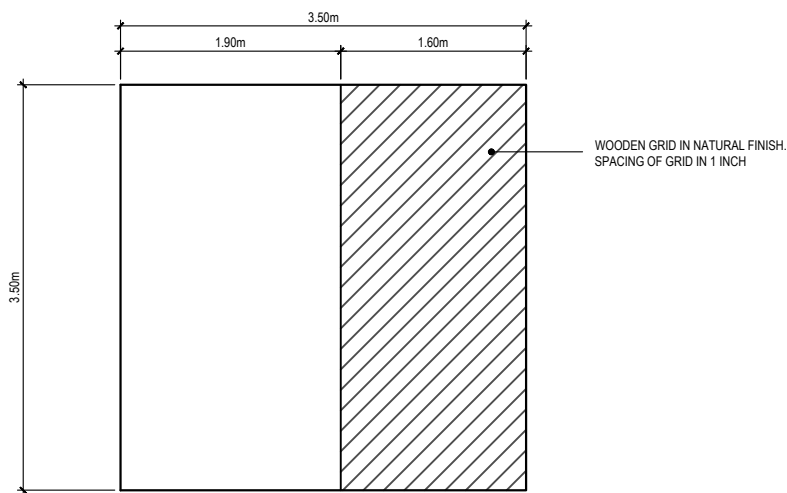
**N** ELEVATION N

 <b>EXHIBITION DESIGN DIVISION</b>	PROJECT:	AMBIENTE 2025
	TITLE:	DESIGN PHILIPPINES
DATE / TIME: NOVEMBER 21, 2024	LOCATION:	FRANKFURT, GERMANY
	PAGE:	29


AMBIENTE 2025  
ELEVATION



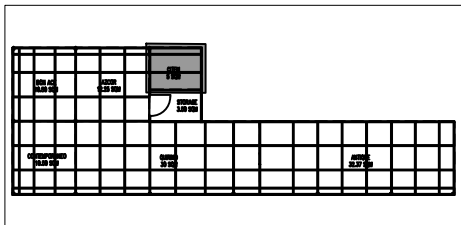
**M** ELEVATION M



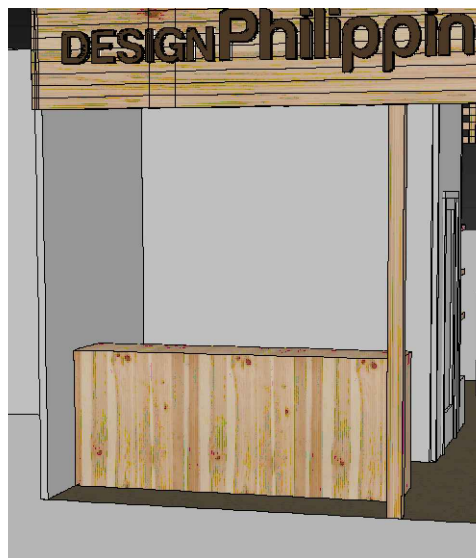
**N** ELEVATION N

 <b>EXHIBITION DESIGN DIVISION</b>	PROJECT: AMBIENTE 2025
	TITLE: DESIGN PHILIPPINES
DATE / TIME: NOVEMBER 21, 2024	LOCATION: FRANKFURT, GERMANY      PAGE: 30

LOCATION MAP

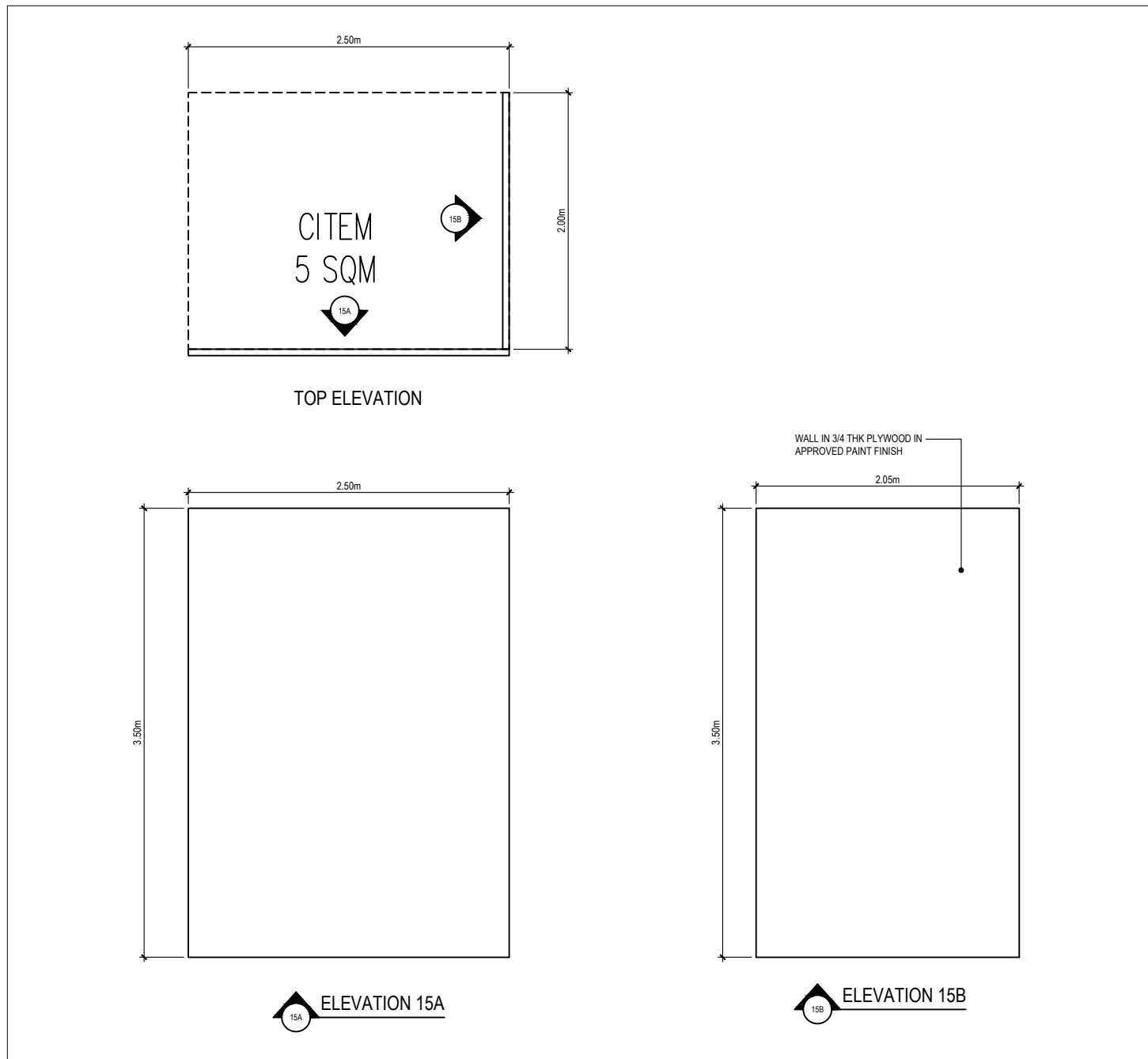


PERSPECTIVE



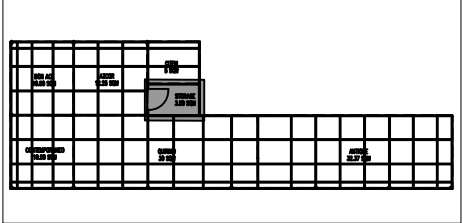
OTHER AMENITIES

- 1 UNIT RECEPTION COUNTER
- 2 UNITS BAR STOOL
- 1 UNIT 2 GANG CONVENIENCE OUTLET



<p>EXHIBITION DESIGN DIVISION</p>	PROJECT:	AMBIENTE 2025
	TITLE:	DESIGN PHILIPPINES
DATE / TIME:	LOCATION:	PAGE:
NOVEMBER 21, 2024	FRANKFURT, GERMANY	31

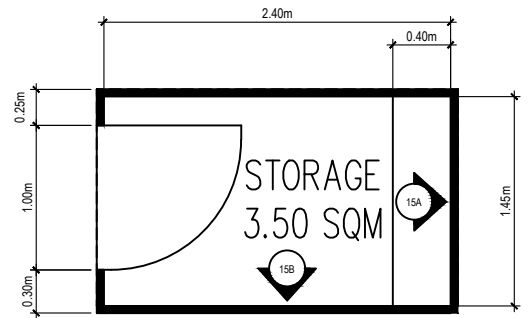
LOCATION MAP



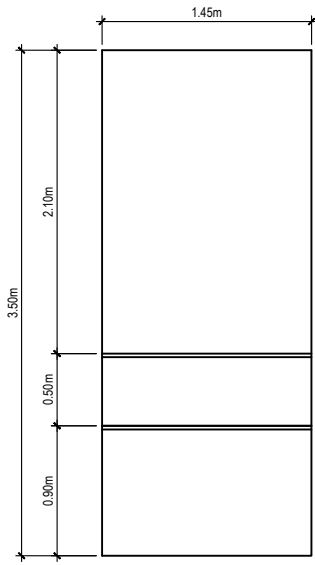
OTHER AMENITIES

- 1 LOT SHELVING
- 30 HOOKS COAT HANGER
- 1 UNIT LONG TABLE
- 3 UNITS 2 GANG CONVENIENCE OUTLET
- 1 UNIT HOT AND COLD WATER DISPENSER
- 5 DAYS SUPPLY OF DRINKING WATER (3 GALLONS PER DAY)
- 1 UNIT COFFEE MACHINE
- COFFEE PODS SUPPLY (100 PCS / EVENT DAY)
- CREAMER (100 PCS / EVENT DAY)
- SUGAR (100 PCS / EVENT DAY)
- TEA (100 PCS / EVENT DAY)
- CUP (1000 PCS)
- STIRRER (500 PCS)

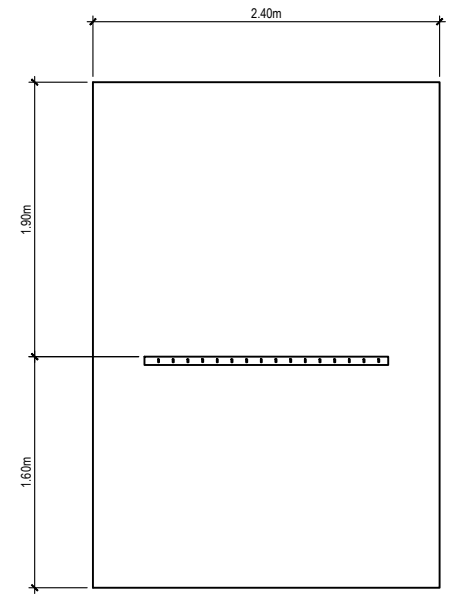
REFER TO CHECKLIST OF ITEMS FOR PHOTO REFERENCE



TOP ELEVATION



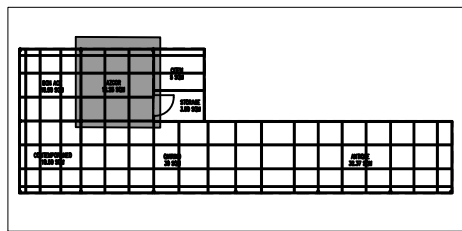
ELEVATION 14A



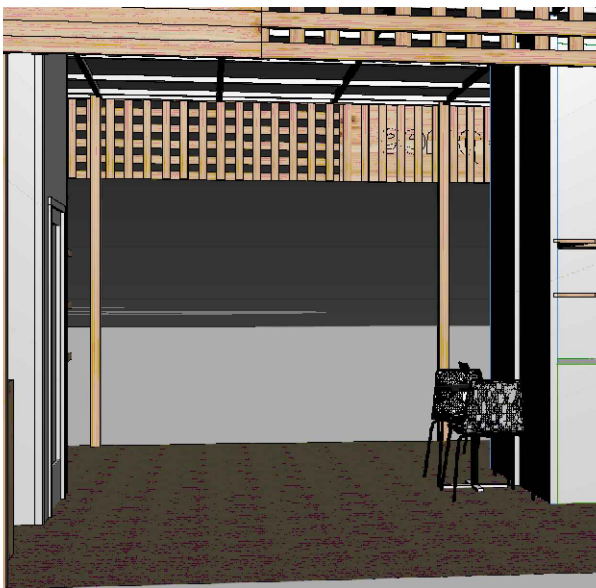
ELEVATION 14B

 EXHIBITION DESIGN DIVISION	PROJECT:	AMBIENTE 2025
	TITLE:	DESIGN PHILIPPINES
DATE / TIME:	NOVEMBER 21, 2024	LOCATION: FRANKFURT, GERMANY
		PAGE: 32

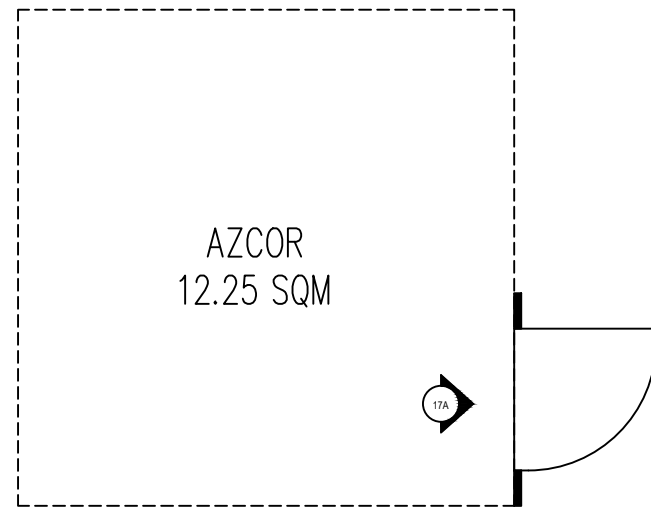
LOCATION MAP



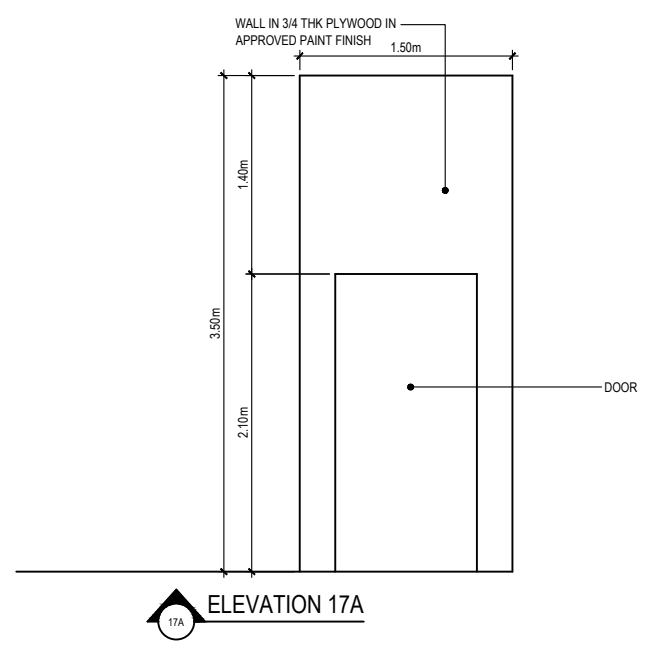
PERSPECTIVE




- OTHER AMENITIES**
- 1 UNIT NEGOTIATION TABLE (60CM DIAMETER)
  - 2 UNITS CHAIRS
  - 1 UNIT 2 GANG CONVENIENCE OUTLET



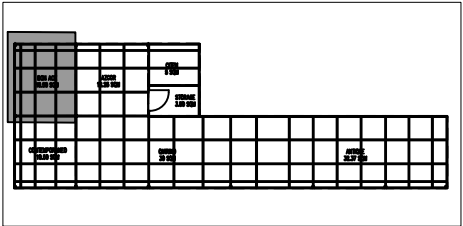
TOP ELEVATION



ELEVATION 17A

	PROJECT:	AMBIENTE 2025	
	EXHIBITION DESIGN DIVISION	TITLE:	DESIGN PHILIPPINES
DATE / TIME:	NOVEMBER 21, 2024	LOCATION:	FRANKFURT, GERMANY
		PAGE:	33

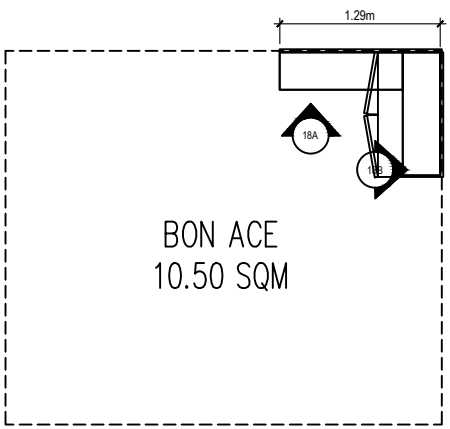
LOCATION MAP



PERSPECTIVE

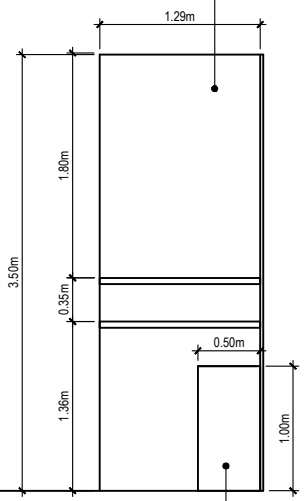


- OTHER AMENITIES**
- 1 LOT SHELVING
  - 1 UNIT PEDESTAL A
  - 1 UNIT PEDESTAL B
  - 1 UNIT NEGOTIATION TABLE (60CM DIAMETER)
  - 2 UNITS CHAIRS
  - 1 LOT LOCKABLE LOWER CABINET
  - 1 UNIT 2 GANG CONVENIENCE OUTLET



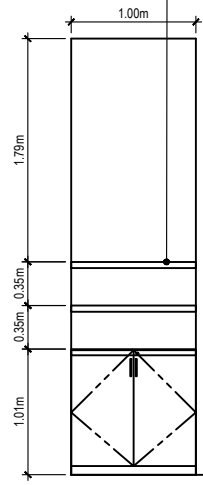
TOP ELEVATION

WOODEN GRID IN NATURAL FINISH.  
SPACING OF GRID IN 1 INCH



ELEVATION 18A

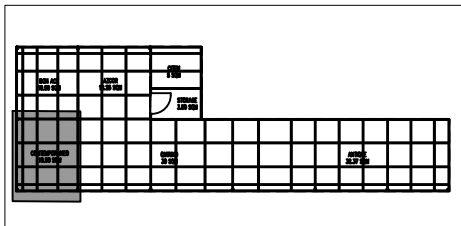
SHELVING IN WOODEN NATURAL FINISH



ELEVATION 18B

	PROJECT:	AMBIENTE 2025
	TITLE:	DESIGN PHILIPPINES
DATE / TIME:	LOCATION:	PAGE:
NOVEMBER 21, 2024	FRANKFURT, GERMANY	34

LOCATION MAP

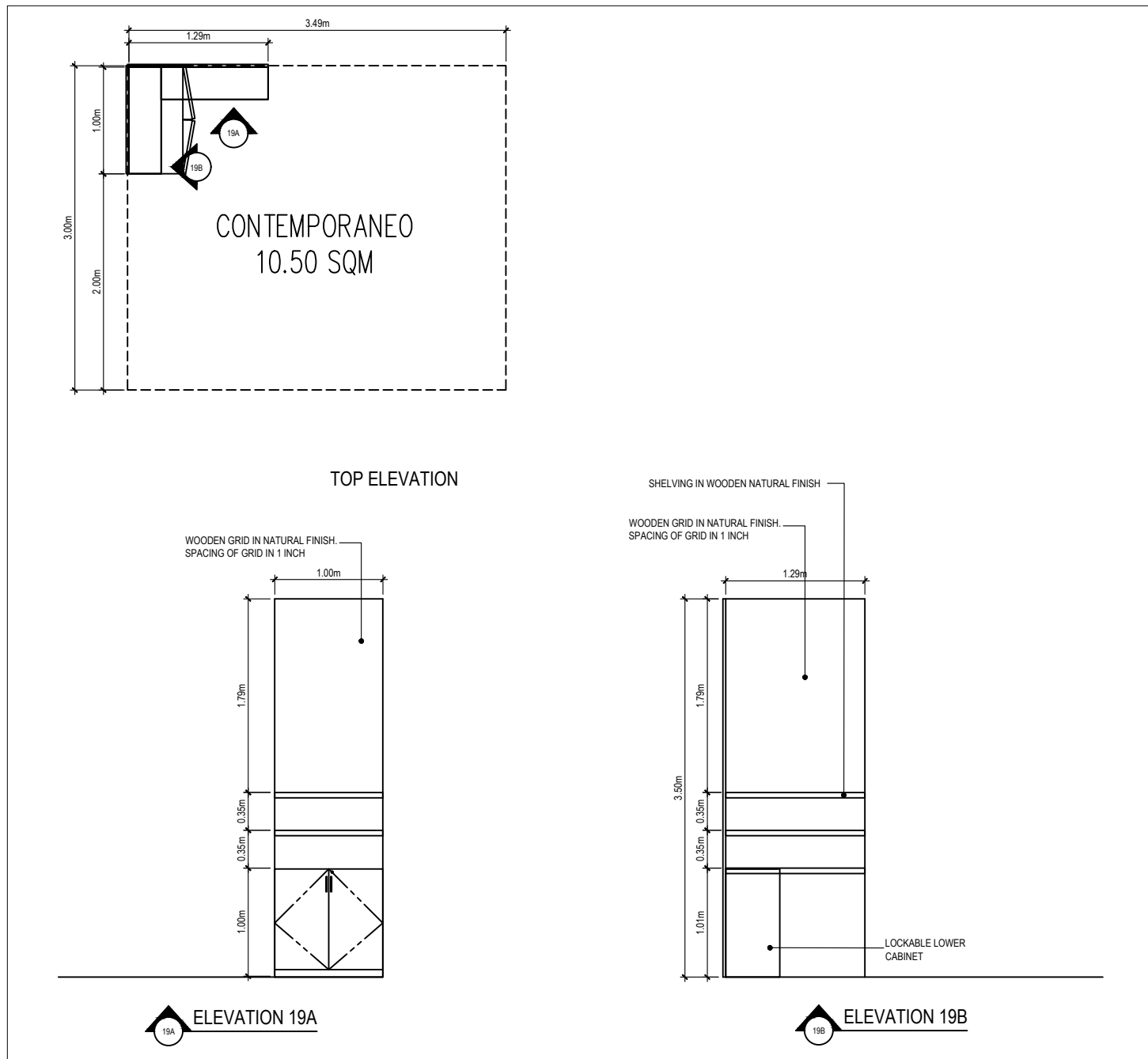


PERSPECTIVE



OTHER AMENITIES

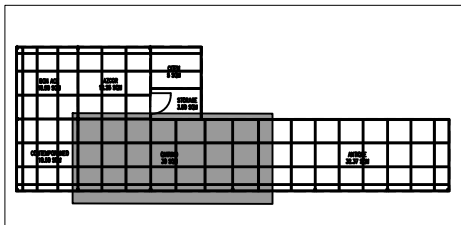
- 1 LOT SHELVING
- 2 UNITS PEDESTAL A
- 1 UNIT LONG TABLE
- 1 UNIT NEGOTIATION TABLE (60CM DIAMETER)
- 2 UNITS CHAIRS
- 1 LOT LOCKABLE LOWER CABINET
- 1 UNIT 2 GANG CONVENIENCE OUTLET



<p>EXHIBITION DESIGN DIVISION</p>	PROJECT:	AMBIENTE 2025	
	TITLE:	DESIGN PHILIPPINES	
DATE / TIME:	LOCATION:	PAGE:	
NOVEMBER 21, 2024	FRANKFURT, GERMANY	35	



LOCATION MAP

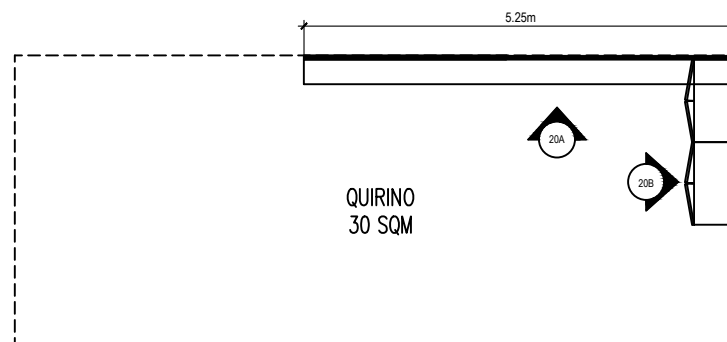


PERSPECTIVE

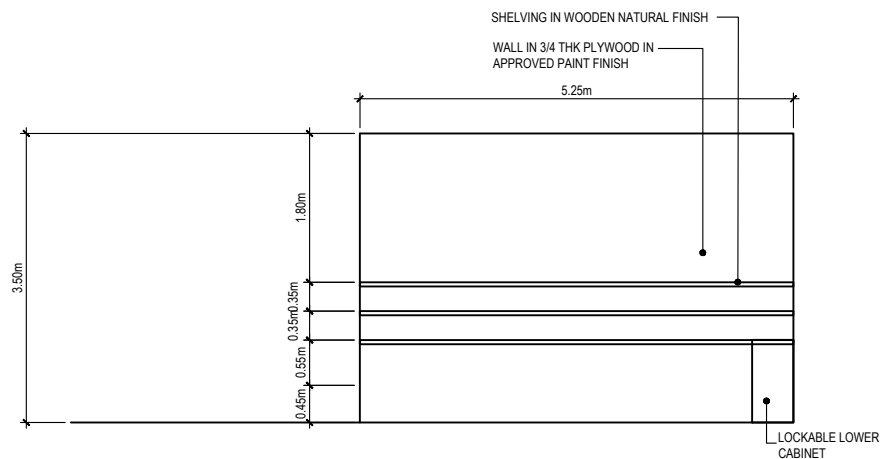


OTHER AMENITIES

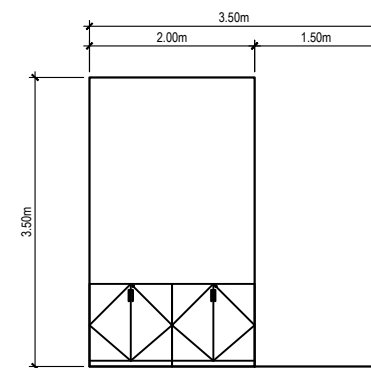
- 1 LOT SHELVING
- 1 UNIT LONG TABLE
- 2 UNITS PEDESTAL A
- 2 UNITS PEDESTAL B
- 2 UNITS PEDESTAL C
- 1 UNIT NEGOTIATION TABLE (60CM DIAMETER)
- 2 UNITS CHAIRS
- 1 LOT LOCKABLE LOWER CABINET
- 1 UNIT 2 GANG CONVENIENCE OUTLET



TOP ELEVATION



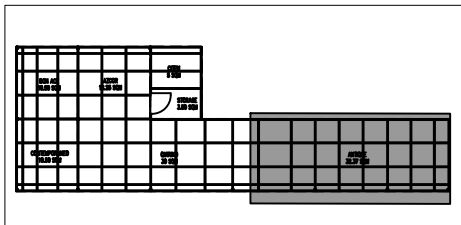
20A ELEVATION 20A



20 ELEVATION 20B

<p>EXHIBITION DESIGN DIVISION</p>	PROJECT:	AMBIENTE 2025
	TITLE:	DESIGN PHILIPPINES
DATE / TIME:	LOCATION:	PAGE:
NOVEMBER 21, 2024	FRANKFURT, GERMANY	36

LOCATION MAP

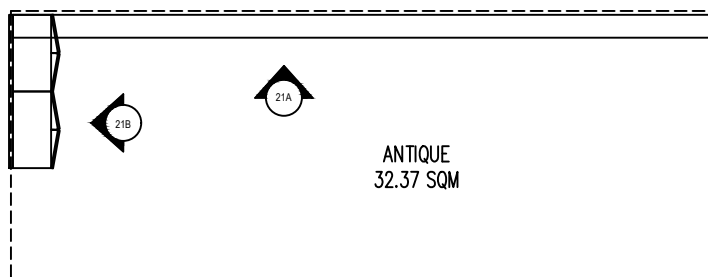


PERSPECTIVE

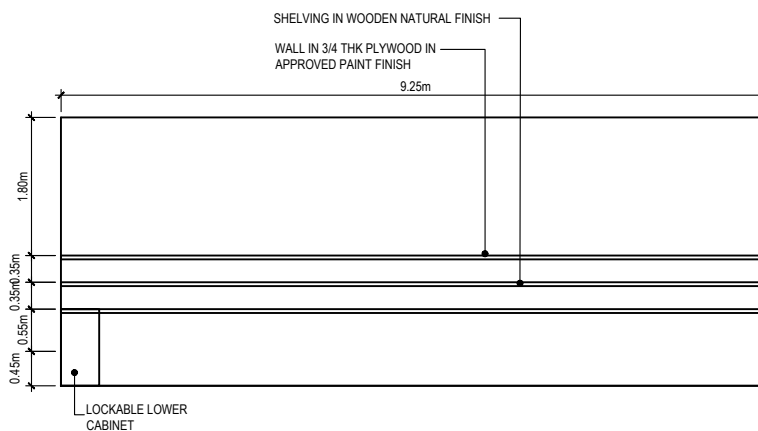


OTHER AMENITIES

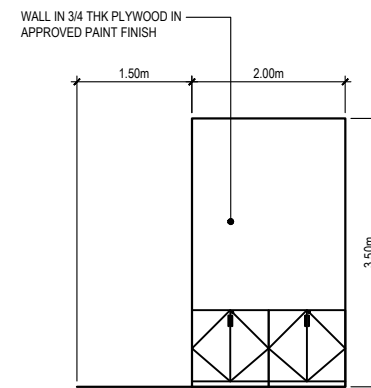
- 1 LOT SHELVING
- 1 UNIT LONG TABLE
- 2 UNITS PEDESTAL A
- 2 UNITS PEDESTAL B
- 2 UNITS PEDESTAL C
- 1 UNIT NEGOTIATION TABLE (60CM DIAMETER)
- 2 UNITS CHAIRS
- 1 LOT LOCKABLE LOWER CABINET
- 1 UNIT 2 GANG CONVENIENCE OUTLET




TOP ELEVATION

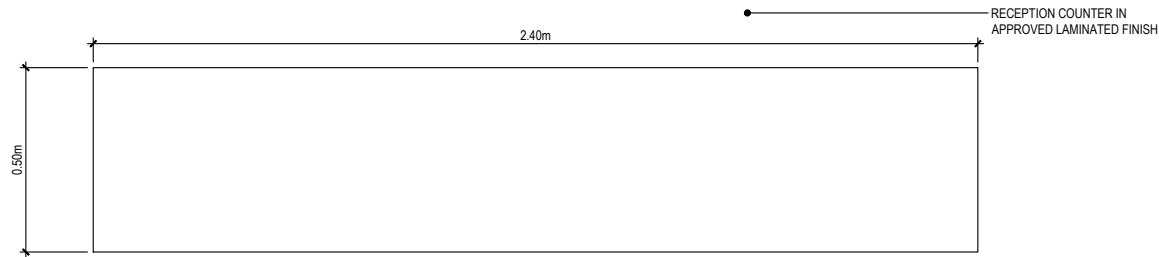


ELEVATION 20A

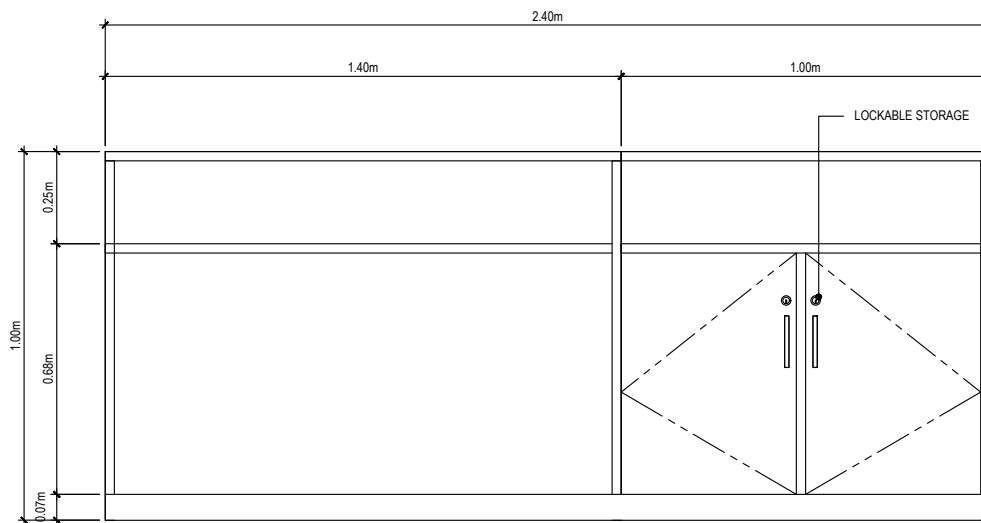


ELEVATION 20B

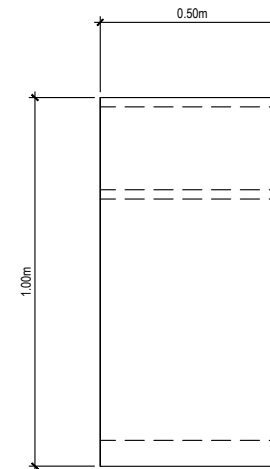
 EXHIBITION DESIGN DIVISION	PROJECT:	AMBIENTE 2025	
	TITLE:	DESIGN PHILIPPINES	
DATE / TIME: NOVEMBER 21, 2024	LOCATION:	FRANKFURT, GERMANY	PAGE: 37




TOP ELEVATION

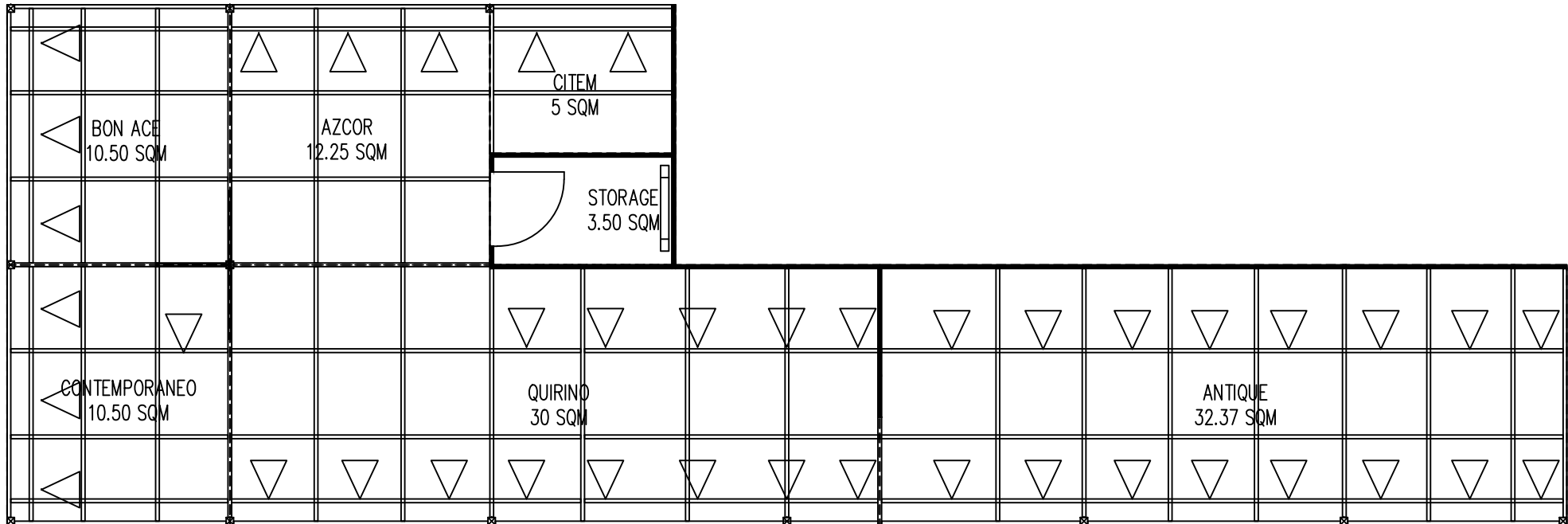


FRONT ELEVATION



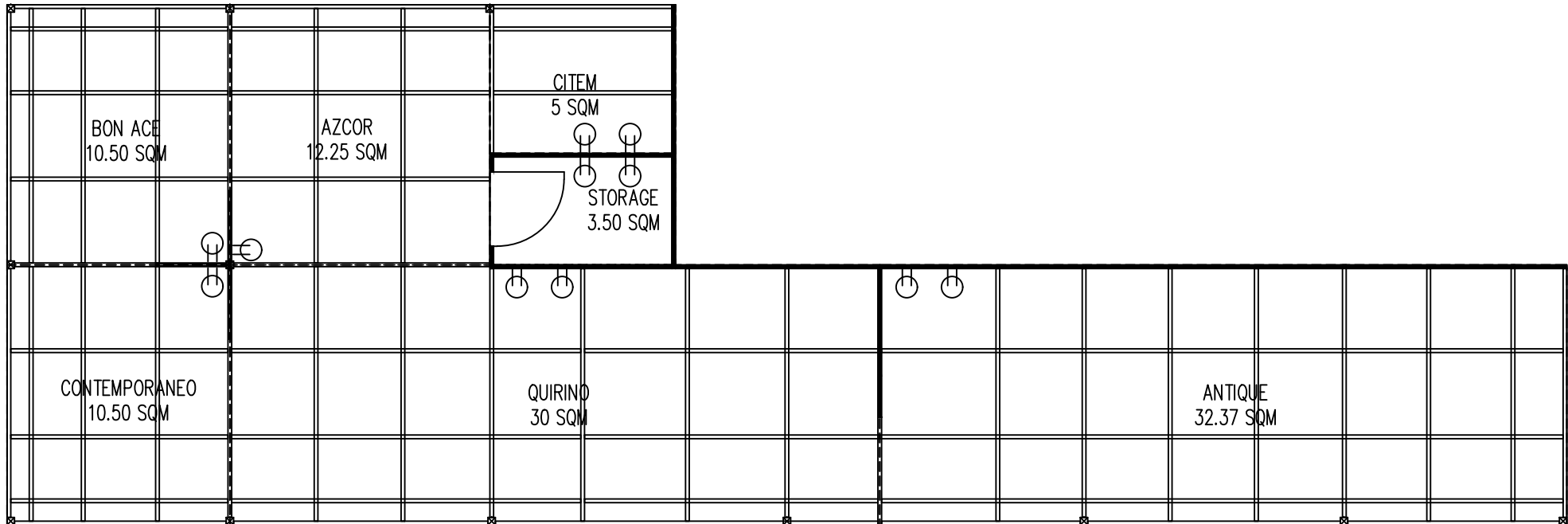
SIDE ELEVATION

 EXHIBITION DESIGN DIVISION	PROJECT:	AMBIENTE 2025
	TITLE:	DESIGN PHILIPPINES
DATE / TIME:	LOCATION:	PAGE:
NOVEMBER 21, 2024	FRANKFURT, GERMANY	38



△ 44 UNITS  
WARM WHITE IN WHITE CASING  
SPOTLIGHT – 20 WATTS

▬ 1 UNIT FLUORESCENT LIGHT  
10 WATTS  
STORAGE LIGHTING



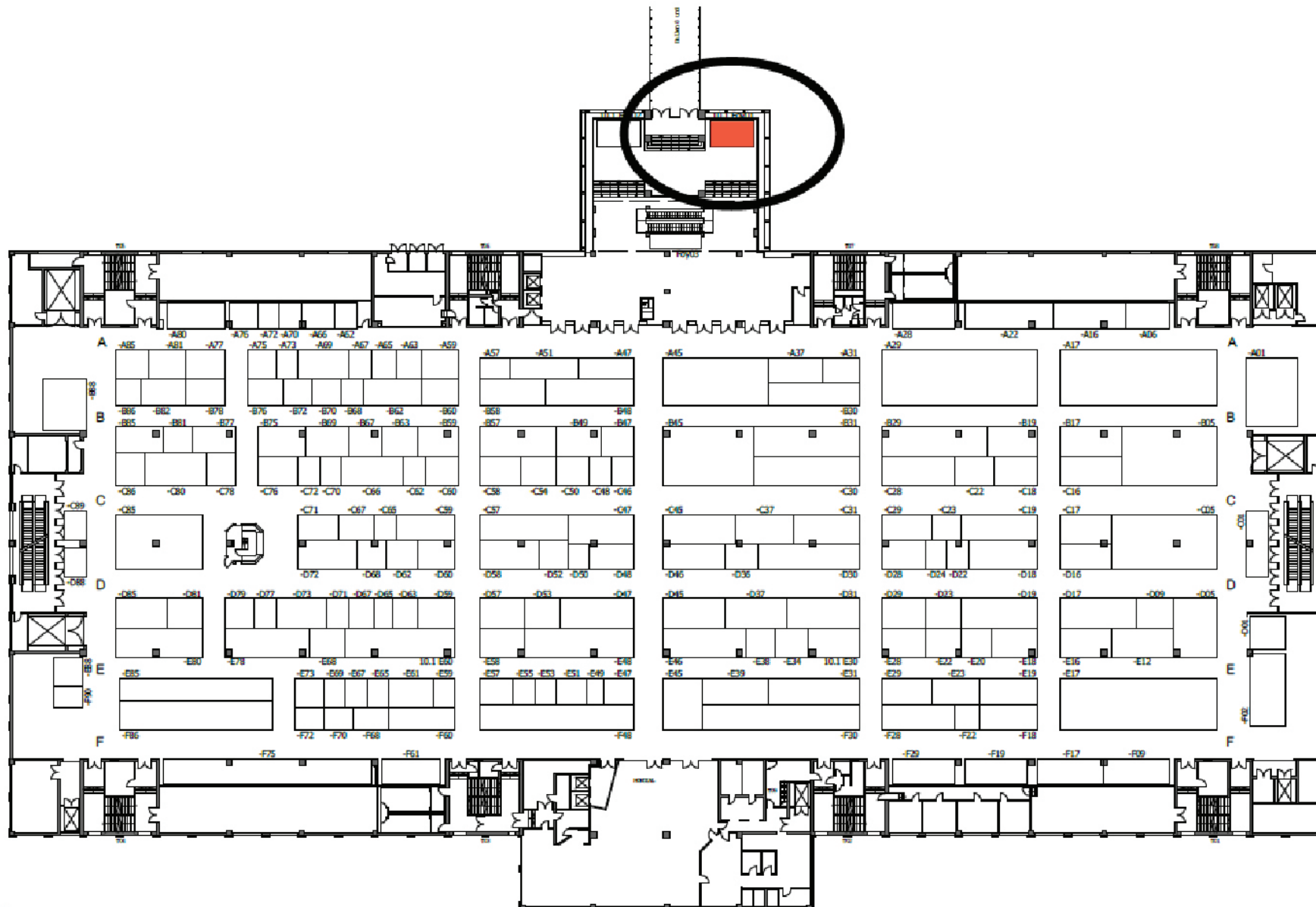
⏻ 11UNITS – 2 GANG UNIVERSAL CONVENIENCE OUTLET

PLOTTING OF PRODUCTS THAT REQUIRES ELECTRICAL SHALL BE DONE ONSITE. ALL ELECTRICAL TAPPING OF THE PRODUCTS SHOULD BE SERVICED BY THE CONTRACTOR.'

LIST OF PRODUCTS WITH WATTAGE AND ITS LOCATION SHALL BE FORWARDED TO THE CONTRACTOR

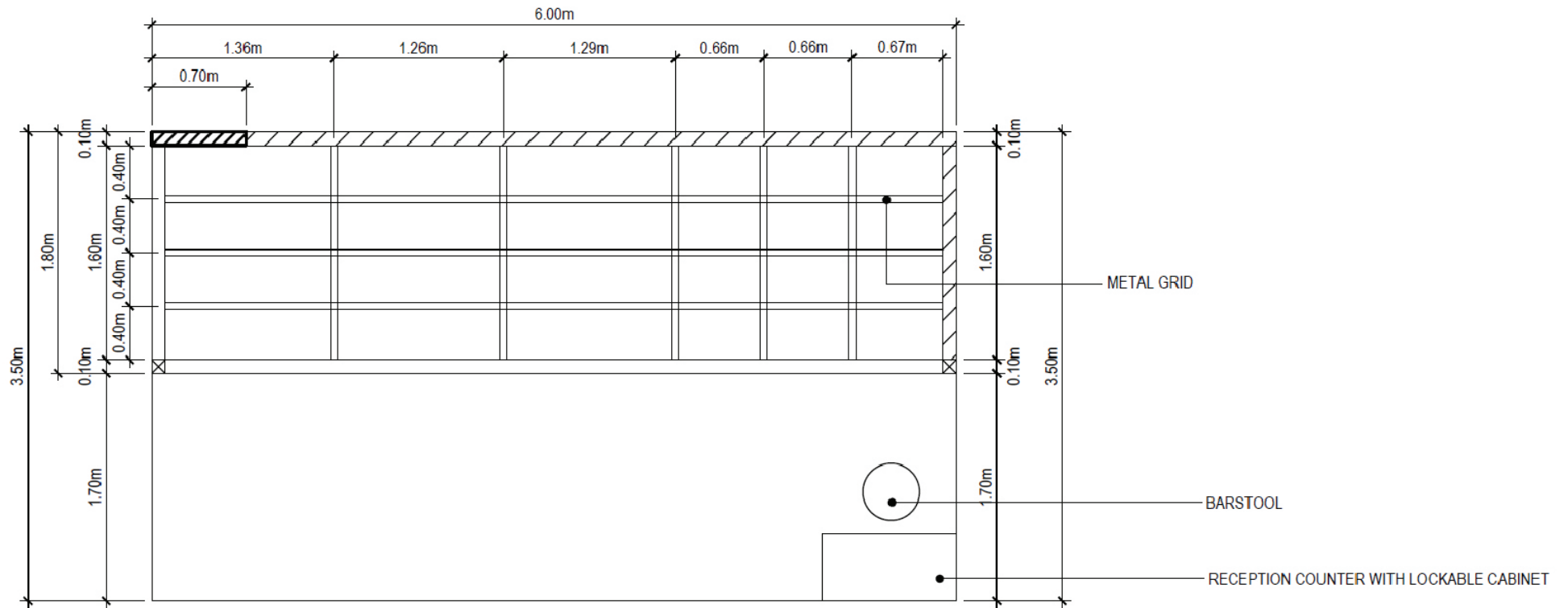
# ambiente

**AREA 3 | HALL 10.1**  
DESIGN PHILIPPINES - FOYER



# ambiente

FOYER

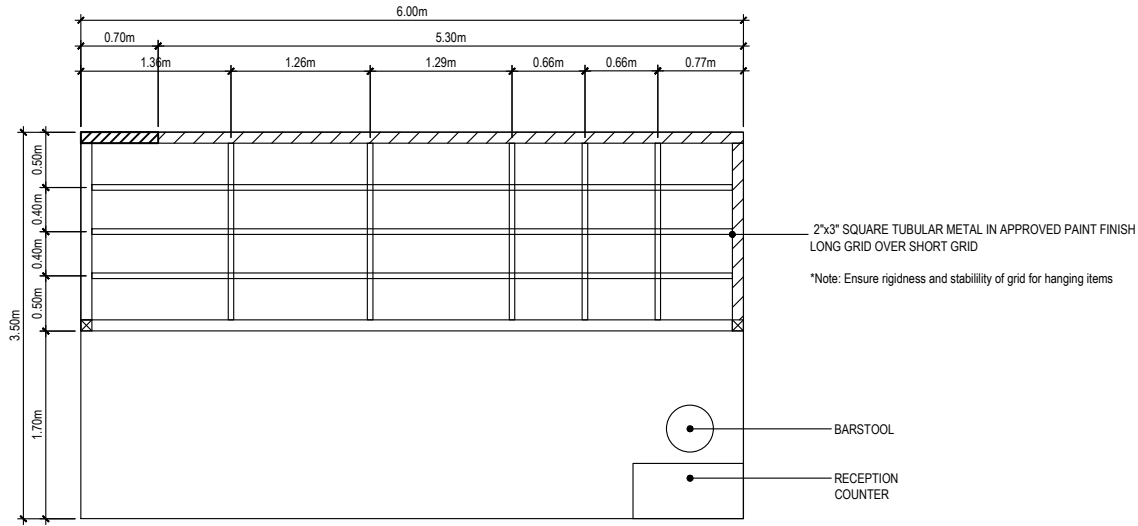




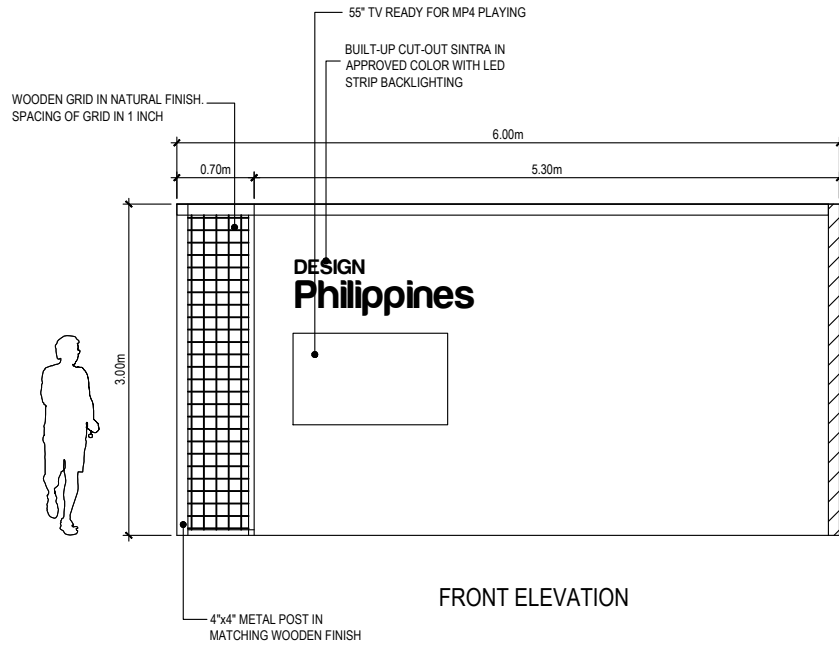
# ambiente

FOYER

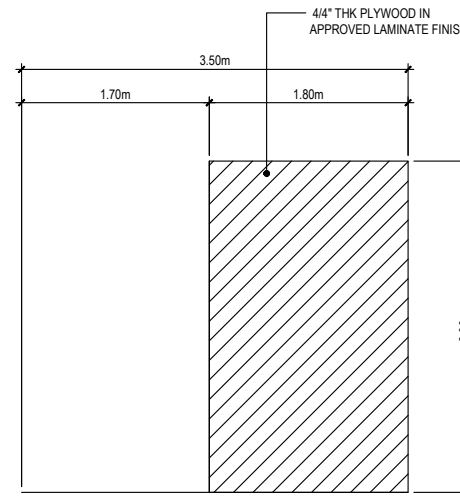




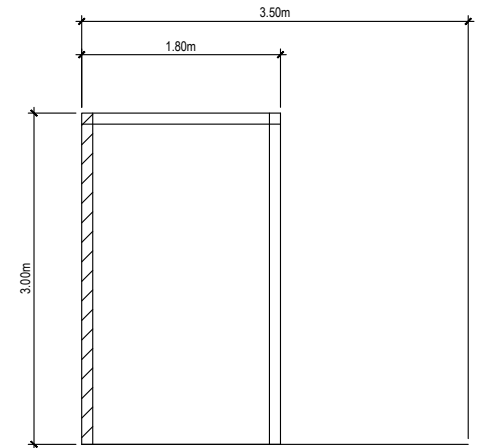
TOP ELEVATION



FRONT ELEVATION

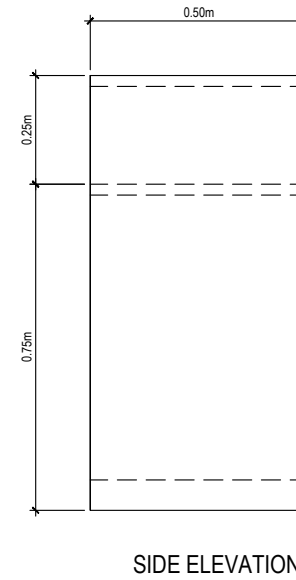
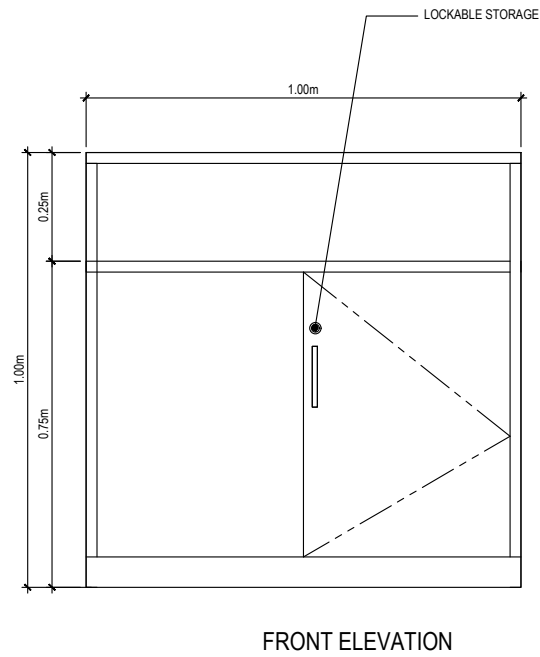
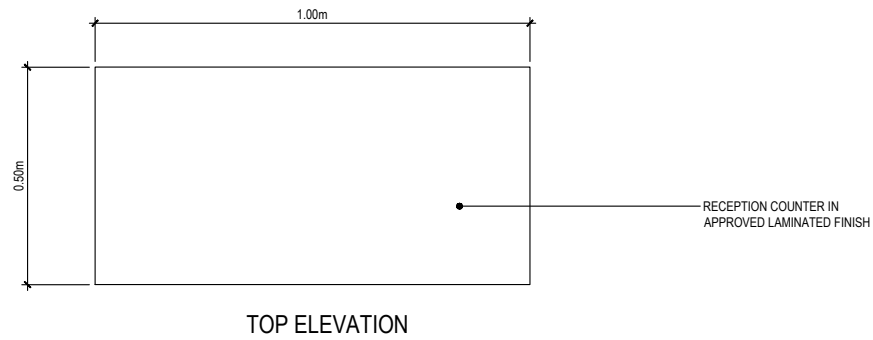



RIGHT SIDE  
ELEVATION

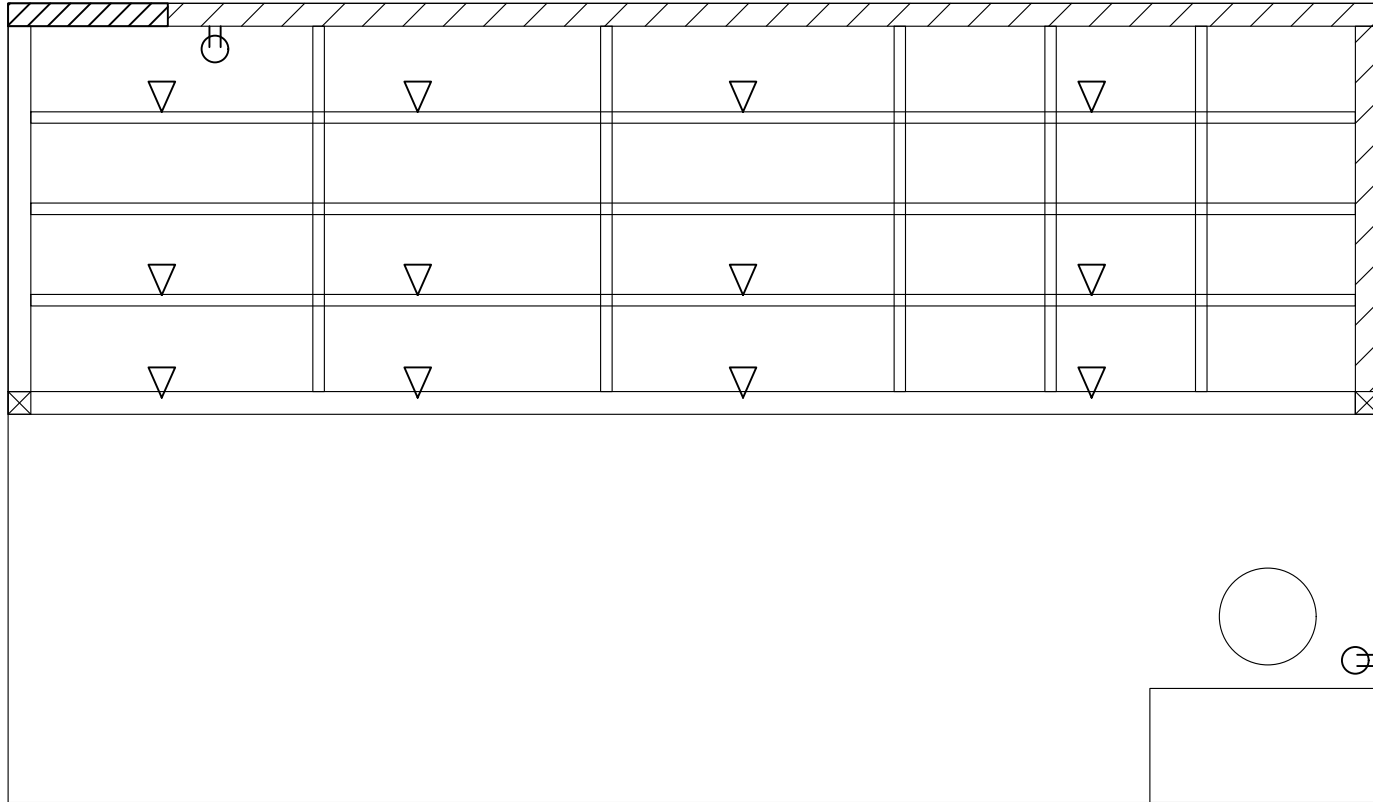


LEFT SIDE  
ELEVATION

<p>EXHIBITION DESIGN DIVISION</p>	PROJECT:	AMBIENTE 2025
	TITLE:	DESIGN PHILIPPINES
DATE / TIME: NOVEMBER 21, 2024	LOCATION:	FRANKFURT, GERMANY
	PAGE:	41



 EXHIBITION DESIGN DIVISION	PROJECT:	AMBIENTE 2025
	TITLE:	DESIGN PHILIPPINES
DATE / TIME:	LOCATION:	PAGE:
NOVEMBER 21, 2024	FRANKFURT, GERMANY	42




△ 12 UNITS  
WARM WHITE IN WHITE CASING  
SPOTLIGHT – 20 WATTS

2 UNITS – 2 GANG UNIVERSAL CONVENIENCE OUTLET

PLOTTING OF PRODUCTS THAT REQUIRES ELECTRICAL SHALL BE DONE ONSITE. ALL ELECTRICAL TAPPING OF THE PRODUCTS SHOULD BE SERVICED BY THE CONTRACTOR.'

LIST OF PRODUCTS WITH WATTAGE AND ITS LOCATION SHALL BE FORWARDED TO THE CONTRACTOR

 <b>EXHIBITION DESIGN DIVISION</b>	PROJECT:	AMBIENTE 2025
	TITLE:	DESIGN PHILIPPINES
DATE / TIME:	LOCATION:	PAGE:
NOVEMBER 21, 2024	FRANKFURT, GERMANY	43