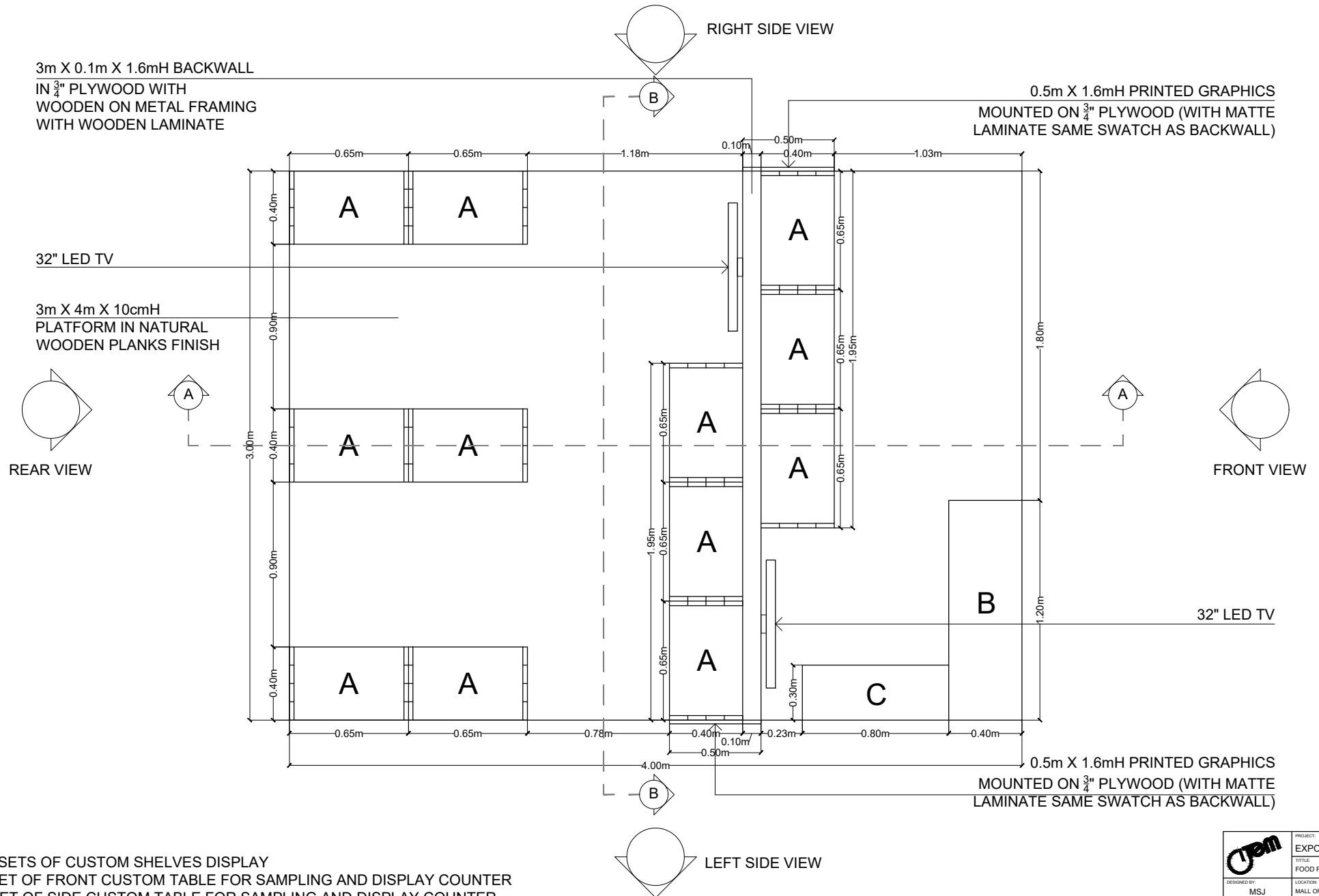
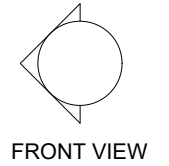
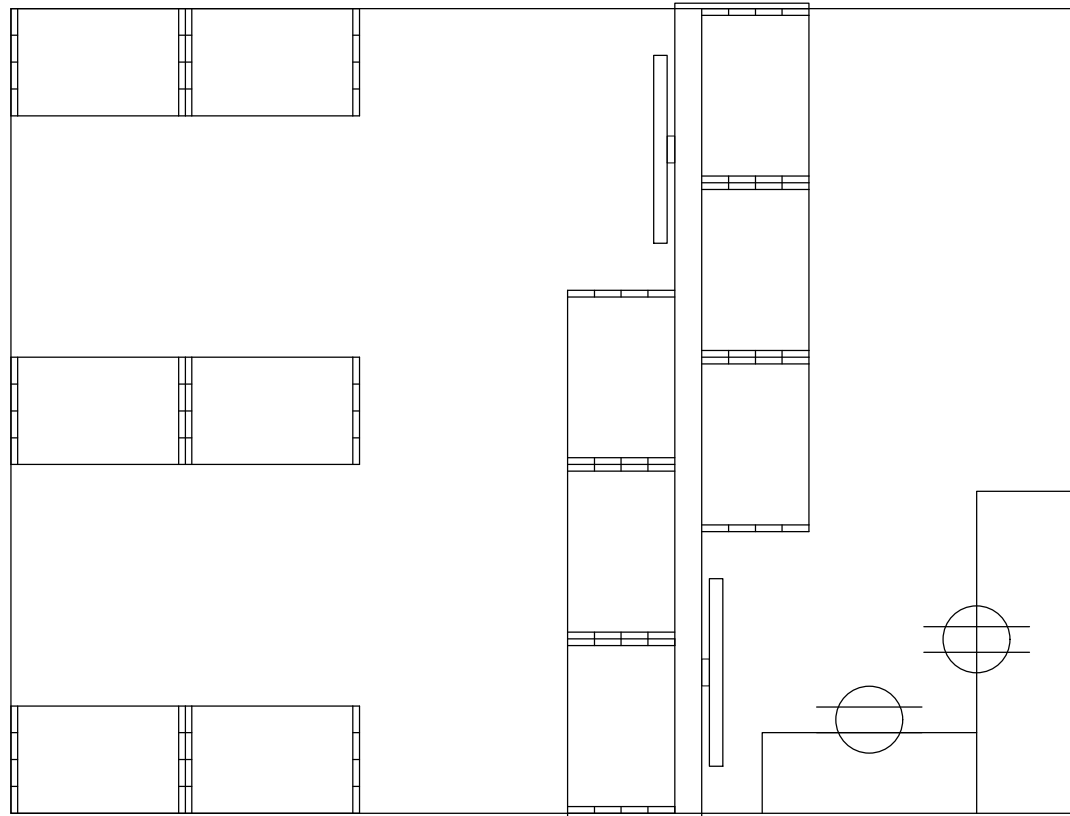


# 3m X 4m CONCEPT PLAN VIEW

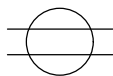


|                |           |                                 |
|----------------|-----------|---------------------------------|
|                | PROJECT:  | EXPO 2020 DUBAI                 |
|                | TITLE:    | FOOD PHILIPPINES IN-STORE PROMO |
| DESIGNED BY:   | MSJ       | LOCATION:                       |
| DATE/TIME:     | 12.04.19  | MALL OF EMIRATES - CARREFOUR    |
| SHEET CONTENT: | PLAN VIEW | SHEET NO:                       |
|                |           | 01                              |

# 3m X 4m CONCEPT ELECTRICAL LAYOUT



LEGEND:

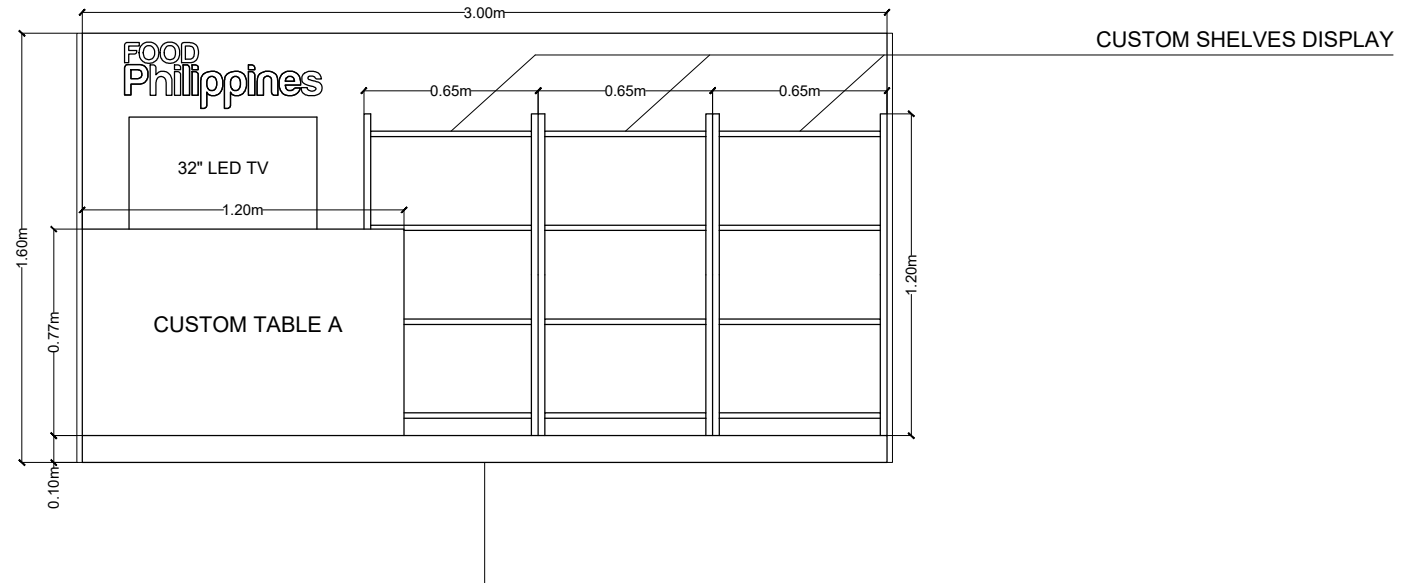


4-GANG / 4-PRONG CONVENIENT OUTLET (2 SETS) FLOOR MOUNTED  
(UK STANDARD) (G-PLUG)

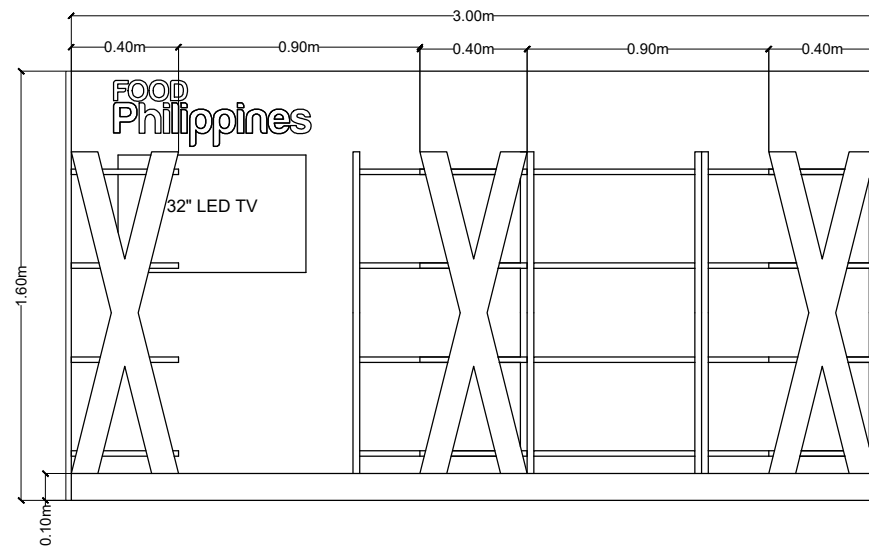
|              |          |                                 |
|--------------|----------|---------------------------------|
|              | PROJECT: | EXPO 2020 DUBAI                 |
|              | TITLE:   | FOOD PHILIPPINES IN-STORE PROMO |
| DESIGNED BY: | MSJ      | LOCATION:                       |
|              |          | MALL OF EMIRATES - CARREFOUR    |
| DATE/TIME:   | 12.04.19 | SHEET CONTENT:                  |
|              |          | ELECTRICAL LAYOUT               |
|              |          | SHEET NO:                       |
|              |          | 02                              |

# 3m X 4m CONCEPT ELEVATION

## FRONT ELEVATION



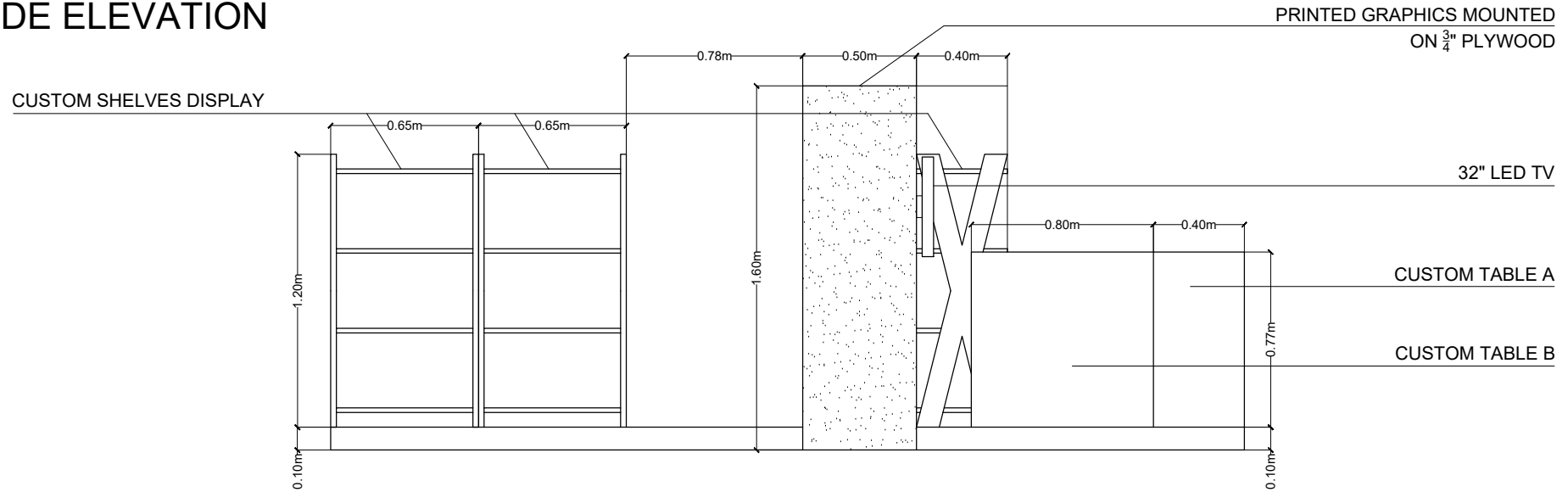
## REAR ELEVATION



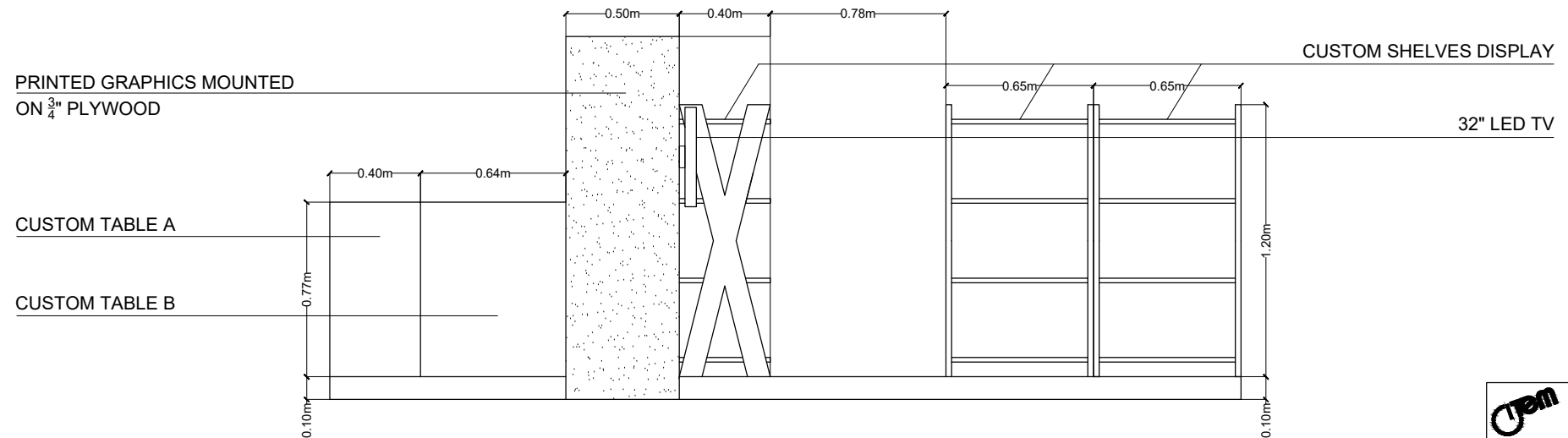
|   |          |                                 |                              |           |    |
|---|----------|---------------------------------|------------------------------|-----------|----|
|  | PROJECT: | EXPO 2020 DUBAI                 |                              |           |    |
|   | TITLE:   | FOOD PHILIPPINES IN-STORE PROMO |                              |           |    |
| DESIGNED BY:  | MSJ      | LOCATION:                       | MALL OF EMIRATES - CARREFOUR |           |    |
| DATE/TIME:  | 12.04.19 | SHEET CONTENT:                  | ELEVATION                    | SHEET NO: | 03 |

# 3m X 4m CONCEPT ELEVATION

## LEFT SIDE ELEVATION



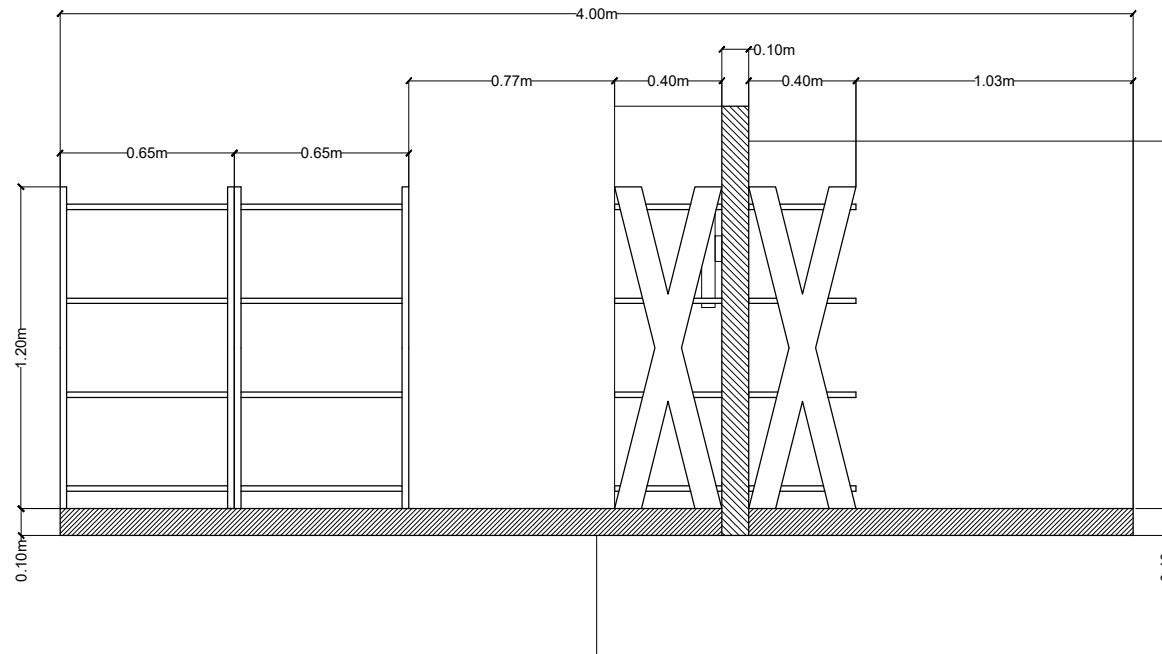
## RIGHT SIDE ELEVATION



|              |          |                                 |
|--------------|----------|---------------------------------|
|              | PROJECT: | EXPO 2020 DUBAI                 |
|              | TITLE:   | FOOD PHILIPPINES IN-STORE PROMO |
| DESIGNED BY: | MSJ      | LOCATION:                       |
|              |          | MALL OF EMIRATES - CARREFOUR    |
| DATE/TIME:   | 12.04.19 | SHEET CONTENT:                  |
|              |          | ELEVATION                       |
|              |          | SHEET NO:                       |
|              |          | 04                              |

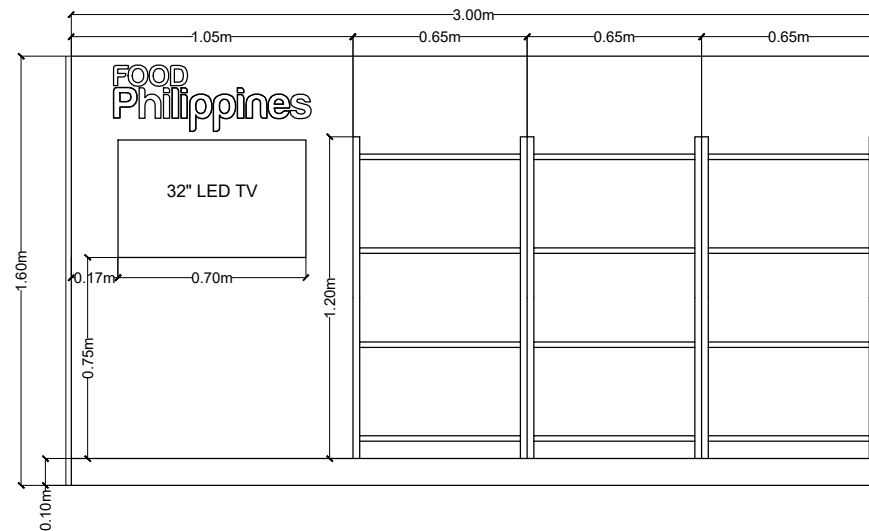
# 3m X 4m CONCEPT SECTION

## SECTION A



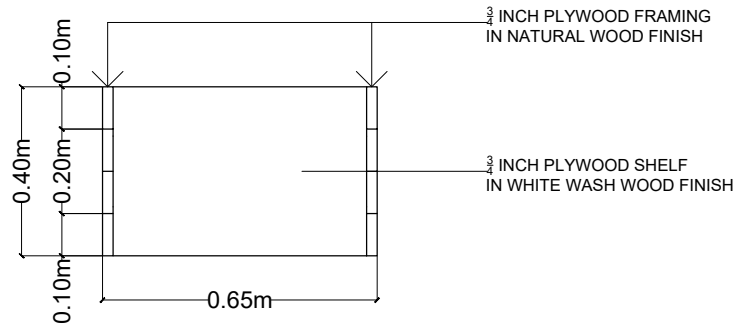
3m X 0.1m X 1.6mH BACK WALL  
IN  $\frac{3}{4}$ " PLYWOOD WITH WOODEN  
OR METAL FRAMING IN  
WEATHERED WOOD LAMINATE  
FINISH

## SECTION B

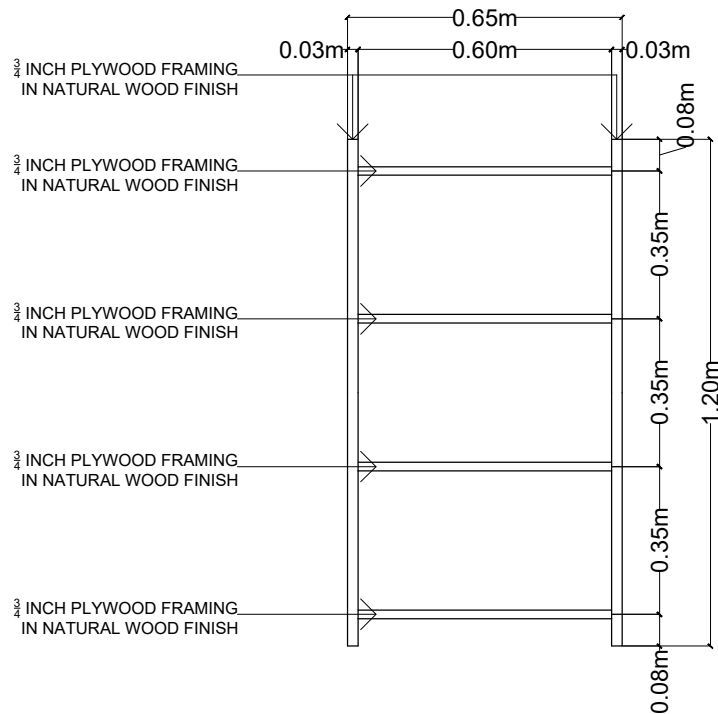


|              |                |                                 |
|--------------|----------------|---------------------------------|
|              | PROJECT:       | EXPO 2020 DUBAI                 |
|              | TITLE:         | FOOD PHILIPPINES IN-STORE PROMO |
| DESIGNED BY: | MSJ            | LOCATION:                       |
| DATE/TIME:   | 12.04.19       | MALL OF EMIRATES - CARREFOUR    |
|              | SHEET CONTENT: | SHEET NO:                       |
|              | SECTION        | 05                              |

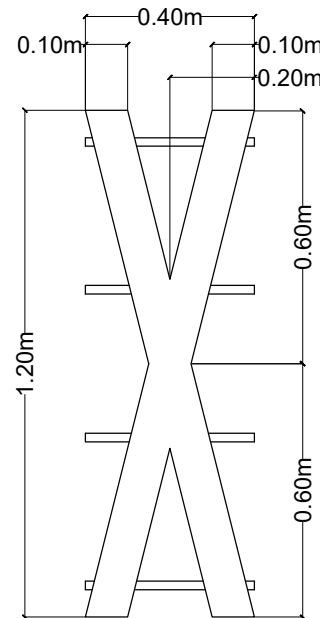
# CUSTOM SHELVES DISPLAY DETAILS



TOP VIEW



FRONT VIEW



SIDE VIEW

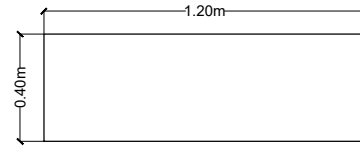


ISOMETRIC VIEW

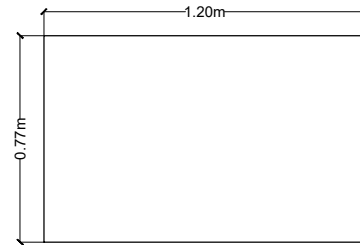
|              |                                   |                                 |
|--------------|-----------------------------------|---------------------------------|
|              | PROJECT:                          | EXPO 2020 DUBAI                 |
|              | TITLE:                            | FOOD PHILIPPINES IN-STORE PROMO |
| DESIGNED BY: | MSJ                               | LOCATION:                       |
| DATE/TIME:   | 12.04.19                          | MALL OF EMIRATES - CARREFOUR    |
|              | SHEET CONTENT:                    | SHEET NO.                       |
|              | CUSTOM SHELVES<br>DISPLAY DETAILS | 06                              |

# CUSTOM TABLE A & B DETAILS

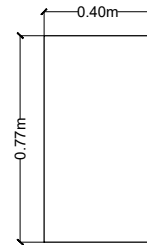
## CUSTOM TABLE A



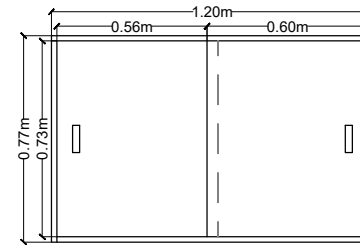
TOP VIEW



FRONT VIEW

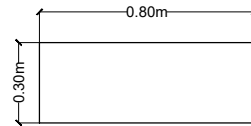


SIDE VIEW

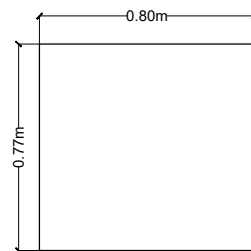


REAR VIEW

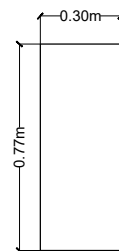
## CUSTOM TABLE B



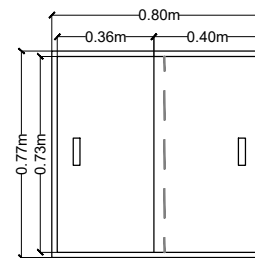
TOP VIEW



FRONT VIEW



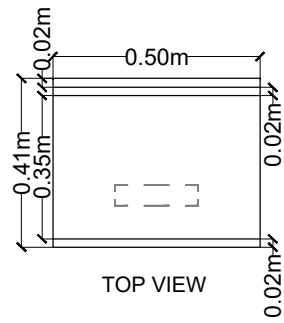
SIDE VIEW



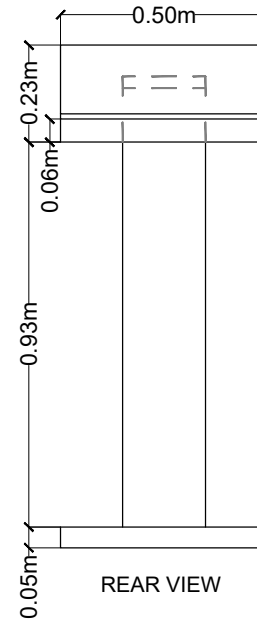
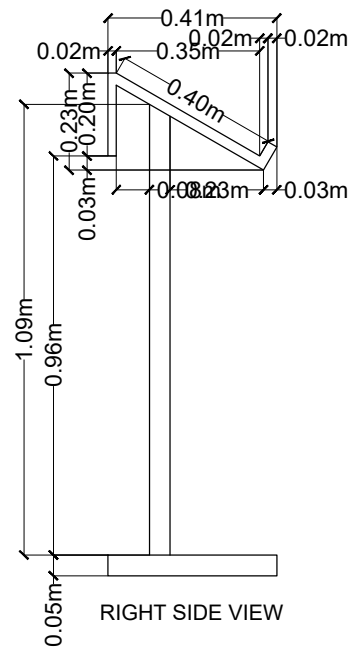
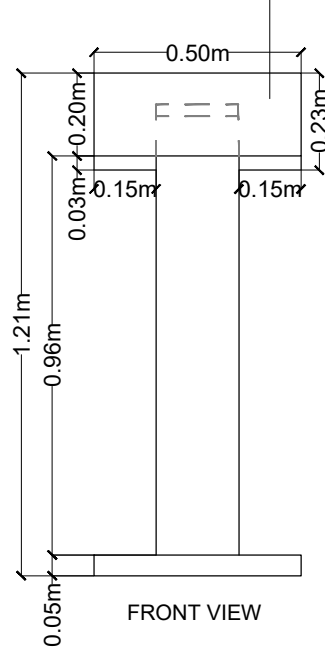
REAR VIEW

|              |          |                                 |
|--------------|----------|---------------------------------|
|              | PROJECT: | EXPO 2020 DUBAI                 |
|              | TITLE:   | FOOD PHILIPPINES IN-STORE PROMO |
| DESIGNED BY: | MSJ      | LOCATION:                       |
|              |          | MALL OF EMIRATES - CARREFOUR    |
| DATE/TIME:   | 12.04.19 | SHEET CONTENT:                  |
|              |          | CUSTOM TABLE A & B<br>DETAILS   |
|              |          | SHEET NO:                       |
|              |          | 07                              |

# PODIUM DETAILS



PLYWOOD TOP  
WITH WOODEN LAMINATE



FRONT ISOMETRIC VIEW

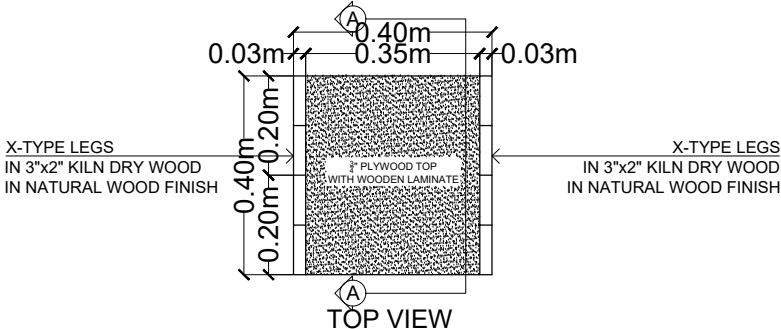


REAR ISOMETRIC VIEW

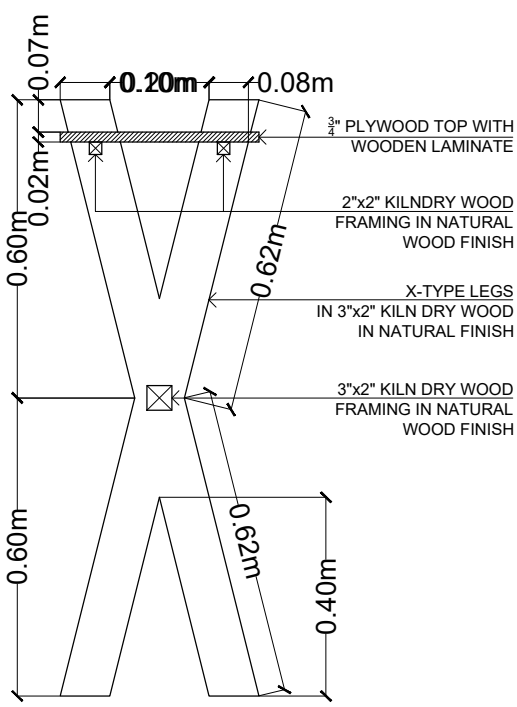
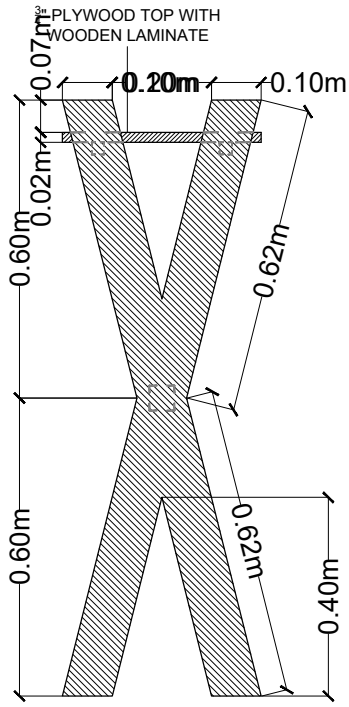
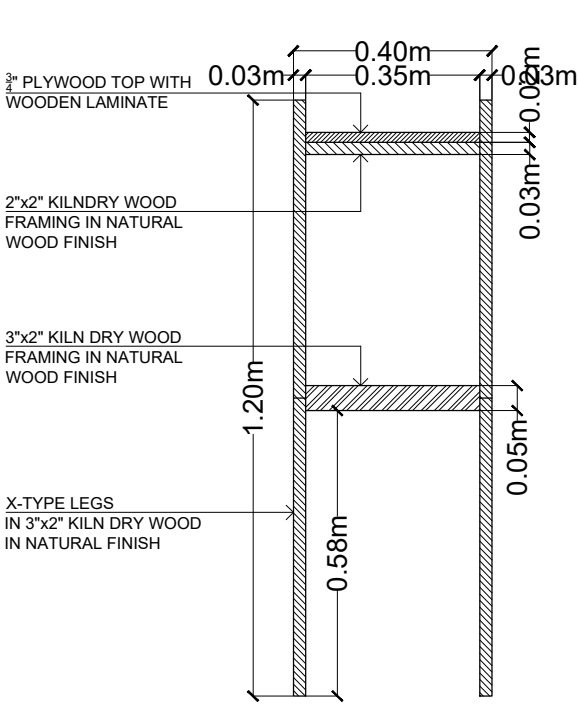
|              |                |                                 |
|--------------|----------------|---------------------------------|
|              | PROJECT:       | EXPO 2020 DUBAI                 |
|              | TITLE:         | FOOD PHILIPPINES IN-STORE PROMO |
| DESIGNED BY: | MSJ            | LOCATION:                       |
| DATE/TIME:   | 12.04.19       | MALL OF EMIRATES - CARREFOUR    |
|              | SHEET CONTENT: | SHEET NO.                       |
|              | PODIUM         | 08                              |



# FLOWER STAND DETAILS



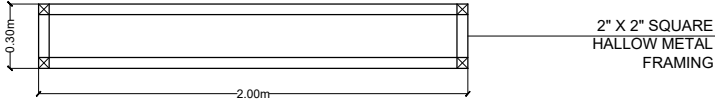
FLOWER STAND  
3/4" PLYWOOD TOP  
WOODEN LAMINATE  
SAMPLE SWATCH



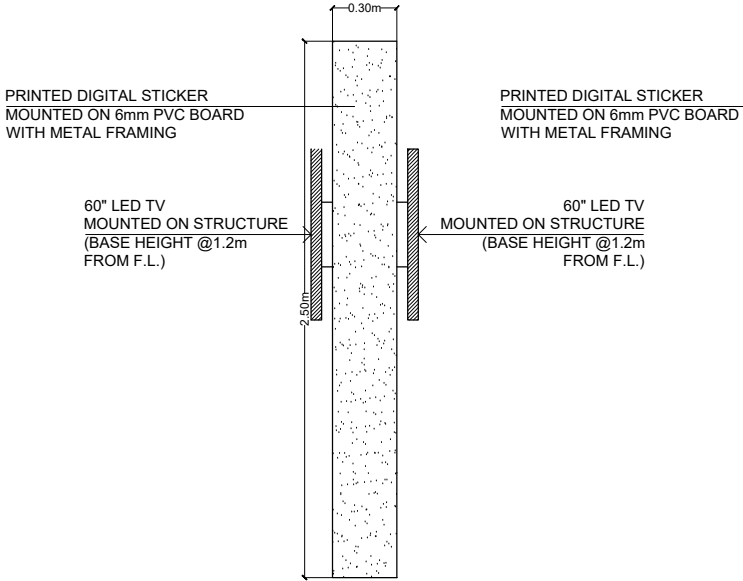
ISOMETRIC VIEW

|              |          |   |
|--------------|----------|---|
|              | PROJECT: | EXPO 2020 DUBAI                           |
|              | TITLE:   | FOOD PHILIPPINES IN-STORE PROMO           |
| DESIGNED BY: | MSJ      | LOCATION:<br>MALL OF EMIRATES - CARREFOUR |
| DATE/TIME:   | 12.04.19 | SHEET CONTENT:<br>FLOWER STAND            |
|              |          | SHEET NO:<br>09                           |

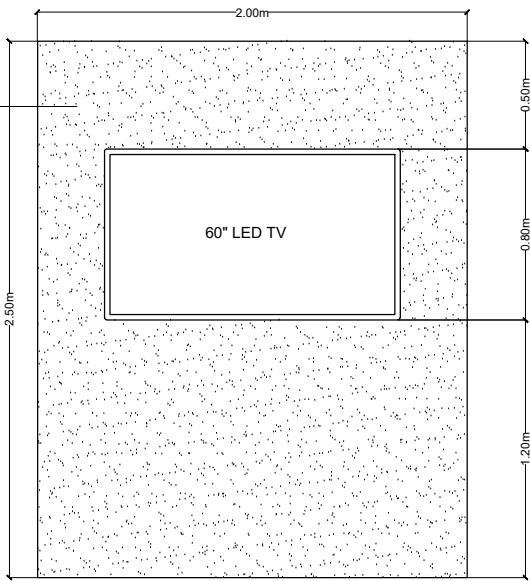
# STANDEE WITH LED TV ORTHOGRAPHIC VIEW



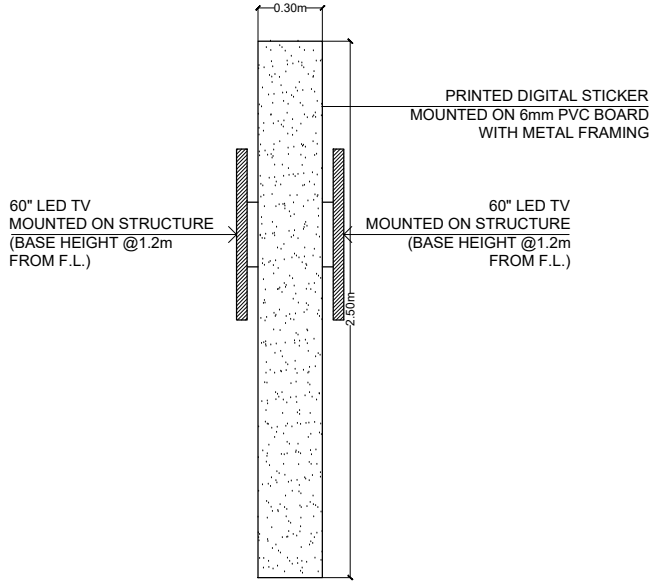
TOP VIEW



LEFT SIDE VIEW



FRONT/REAR VIEW



RIGHT SIDE VIEW

|              |                             |                                 |
|--------------|-----------------------------|---------------------------------|
|              | PROJECT:                    | EXPO 2020 DUBAI                 |
|              | TITLE:                      | FOOD PHILIPPINES IN-STORE PROMO |
| DESIGNED BY: | MSJ                         | LOCATION:                       |
| DATE/TIME:   | 12.04.19                    | MALL OF EMIRATES - CARREFOUR    |
|              | SHEET CONTENT:              | SHEET NO:                       |
|              | STANDEE WITH LED TV DETAILS | 10                              |